

FireBob 2022 – Specification

Specification

Size cm	Height cm	Depth cm	Weight kg	Output kW	Flue size	Ventilation mm ²	DEFRA tested	EcoDesign 2022	Hearth Diameter	Clearance to combustibles Back, Side, Front mm
100	60	95	120	15	8" (200mm)	5500	yes	yes	1.4m	150, 450, 1000
90	51	87	100	10	8" (200mm)	2750	yes	yes	1.3m	150, 450, 1000
69	43	66	85	5	6" (150mm)	0	yes	yes	1.1m	150, 400, 1000
Flattened back version										
100	60	75	120	15	8" (200mm)	5500	yes	yes		450, 450, 1000
90	51	64	100	10	8" (200mm)	2750	Yes	yes		450, 450, 1000
69	41	48	85	5	6" (150mm)	0	yes	yes		400, 400, 1000



Firebob

The Firebob is an innovative suspended stove with fully rotating head enabling it to face any direction. The glass door and air adjuster give you control over the fire and a higher heat output and fuel efficiency compared to an open hanging fire. The Firebob is available in a range of colours. Flue length and fixing brackets are manufactured to suit your installation.

- Rotates 360 ° to face any direction
- 'Airwash' air control
- Three sizes – 100cm, 90cm, 69cm diameter
- UK and international direct delivery
- Choice of colours
- Hand made in the Scottish Borders.

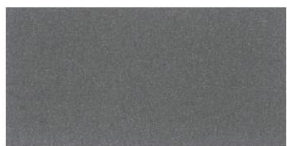


+44 (0)1387 376765
info@firemaker.co.uk
www.firemaker.co.uk

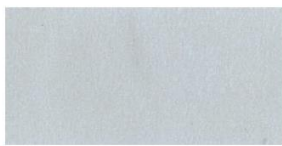
Colour finishes - Please ask if you would like samples of particular colours and we'll pop them in the post.



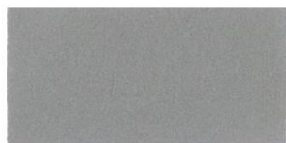
Deep Matt Black



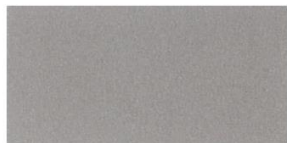
Charcoal



Pewter



Light Grey



Metallic Brown



Metallic Blue



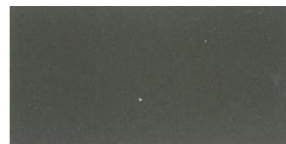
Sky Blue Metallic



Honey Glow Brown



Surf Sand



Forest Green



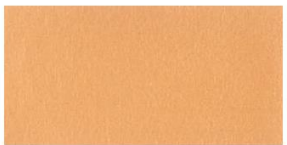
Shimmering Fire



Mojave Red



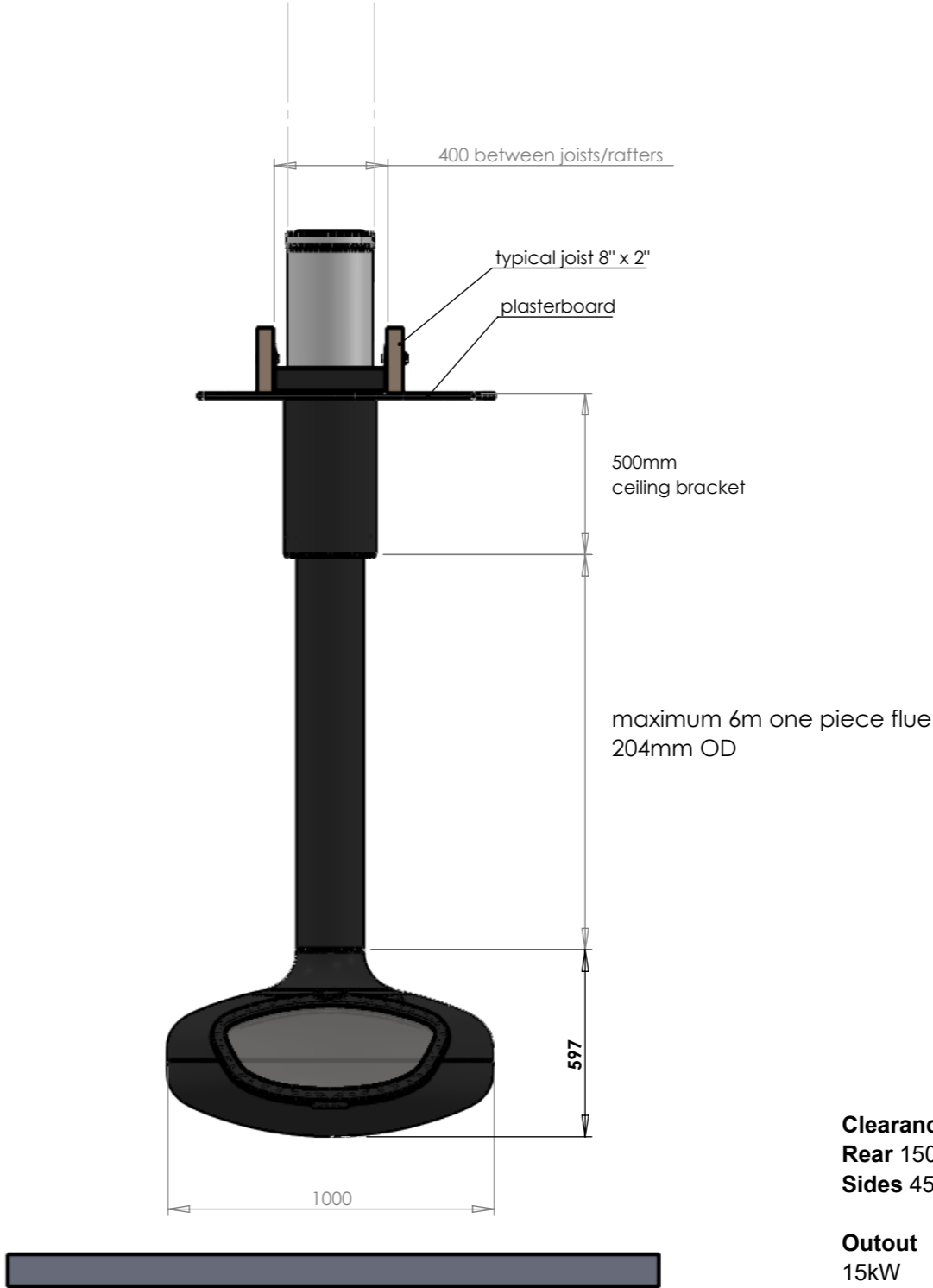
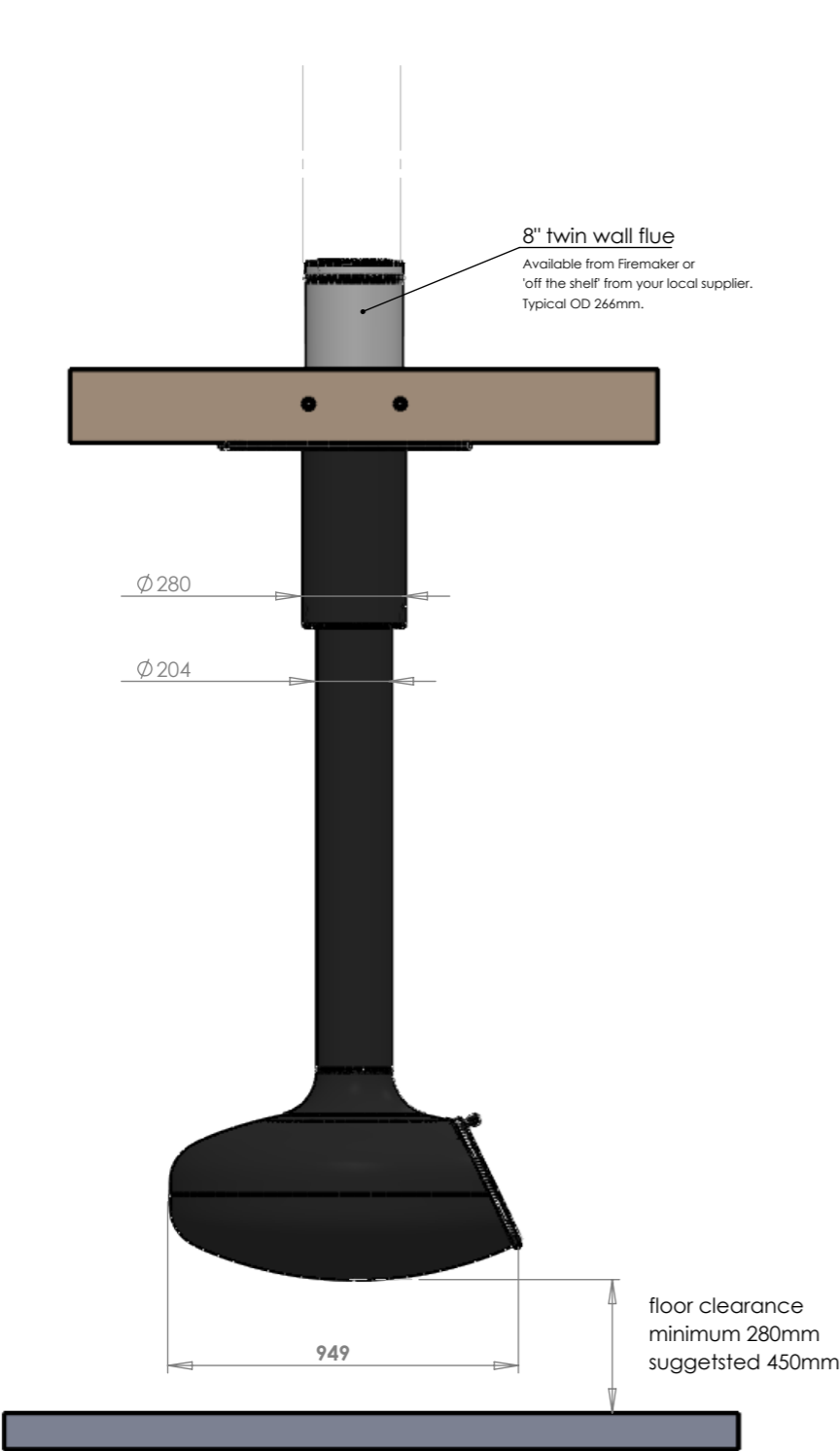
Rich Brown Metallic



Copper

Firebob 1000mm

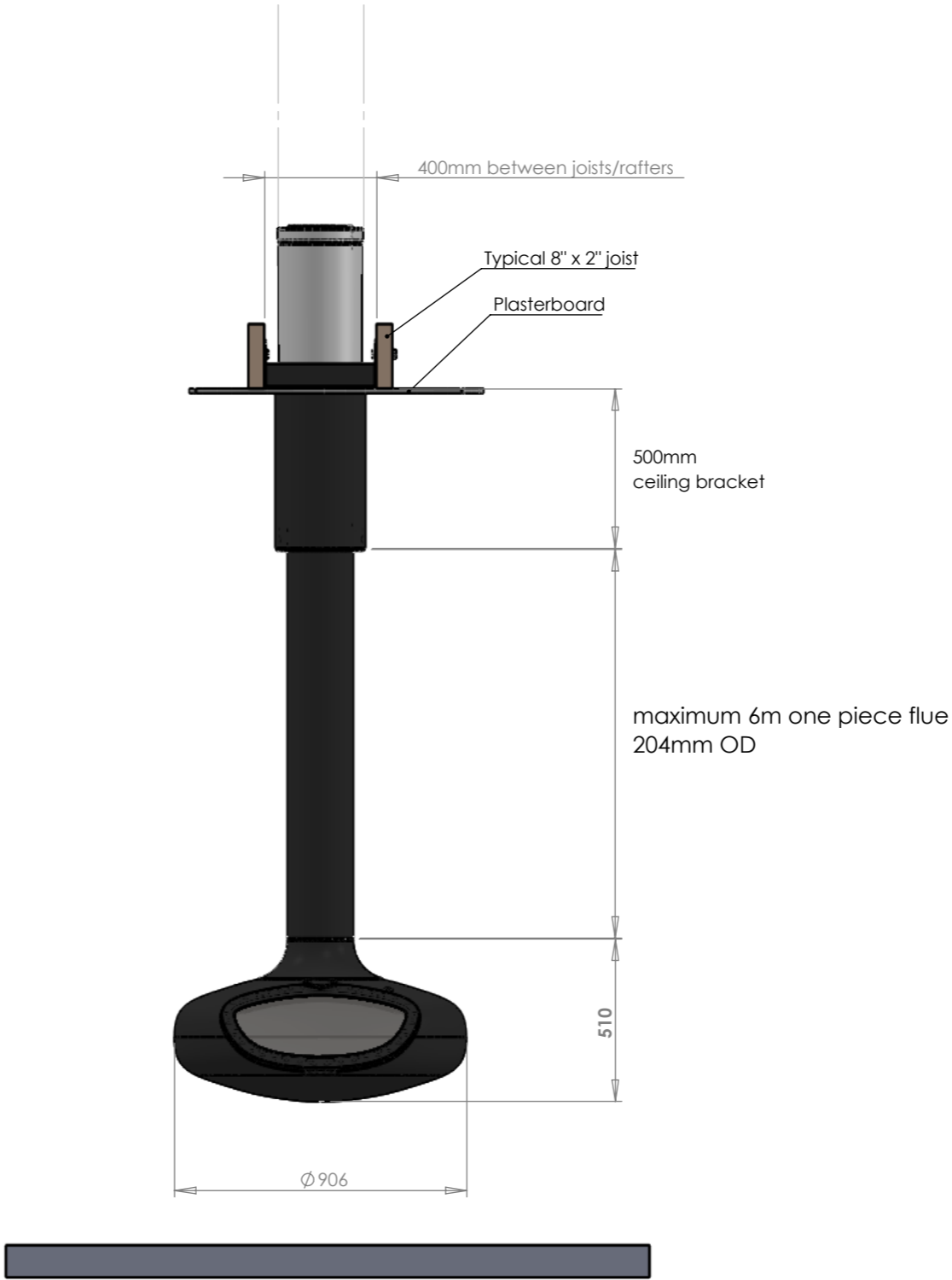
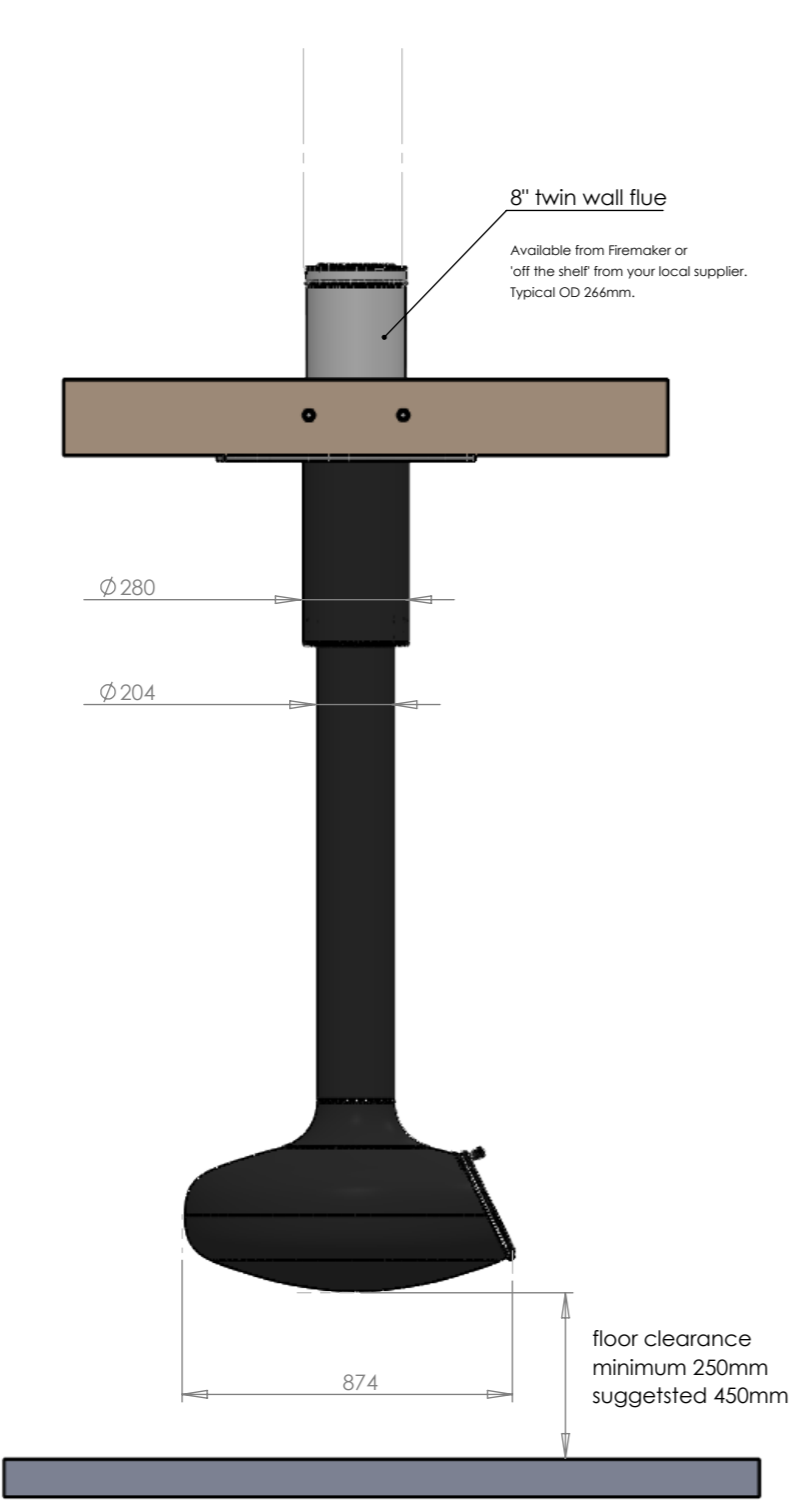
Standard flat roof/ceiling fixing shown - custom made fixings available for pitched roof/ceiling.



- Clearances to Combustibles & Glazing**
- Rear 150mm
- Sides 450mm
- Output**
- 15kW
- Ventilation area required** 5500mm²
- Weight**
- 120kg subject to flue length

Firebob 900mm

Standard flat roof/ceiling fixing shown - custom made fixings available for pitched roof/ceiling.



Clearances to Combustibles & Glazing
Rear 150mm
Sides 450mm

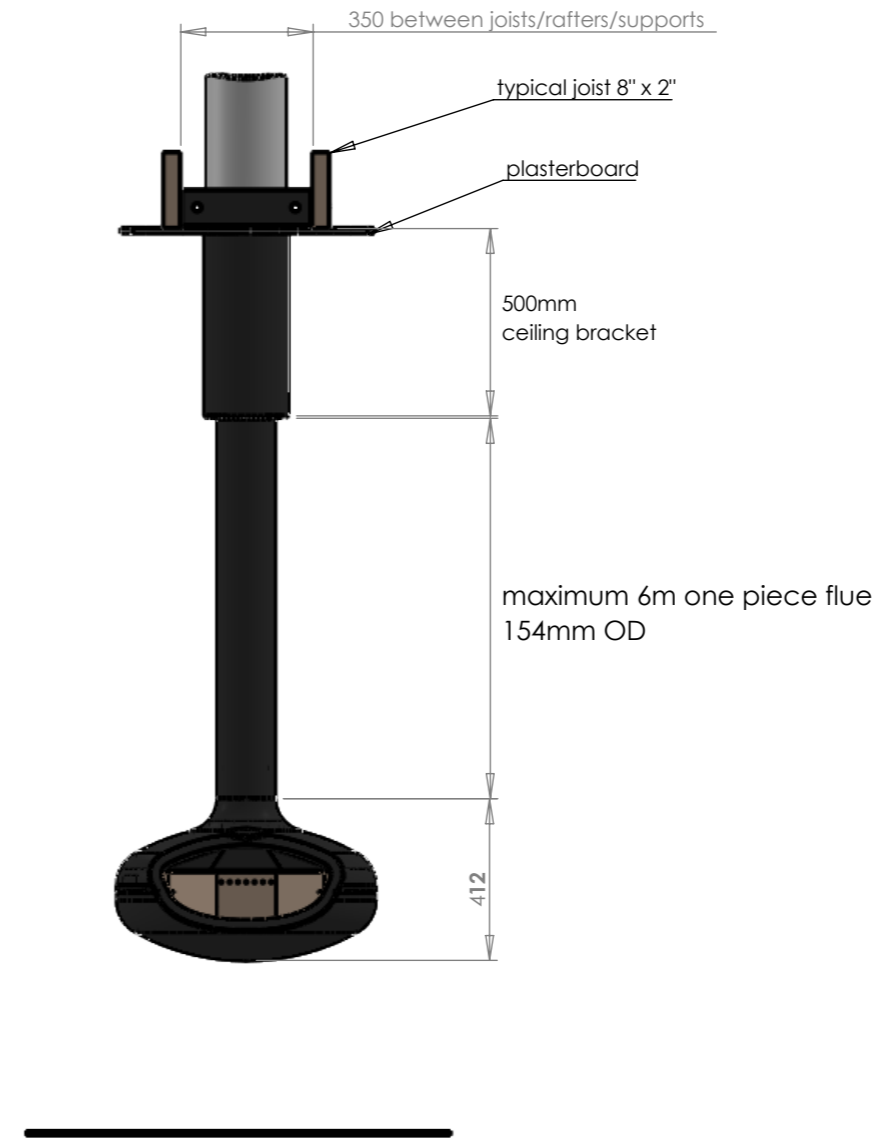
Output
10kW

Ventillation area required 2750mm²

Weight
100kg subject to flue length

Firebob 690mm

Standard flat roof/ceiling fixing shown - custom made fixings available for pitched roof/ceiling.



Clearances to Combustibles & Glazing

Rear 150mm
Sides 400mm

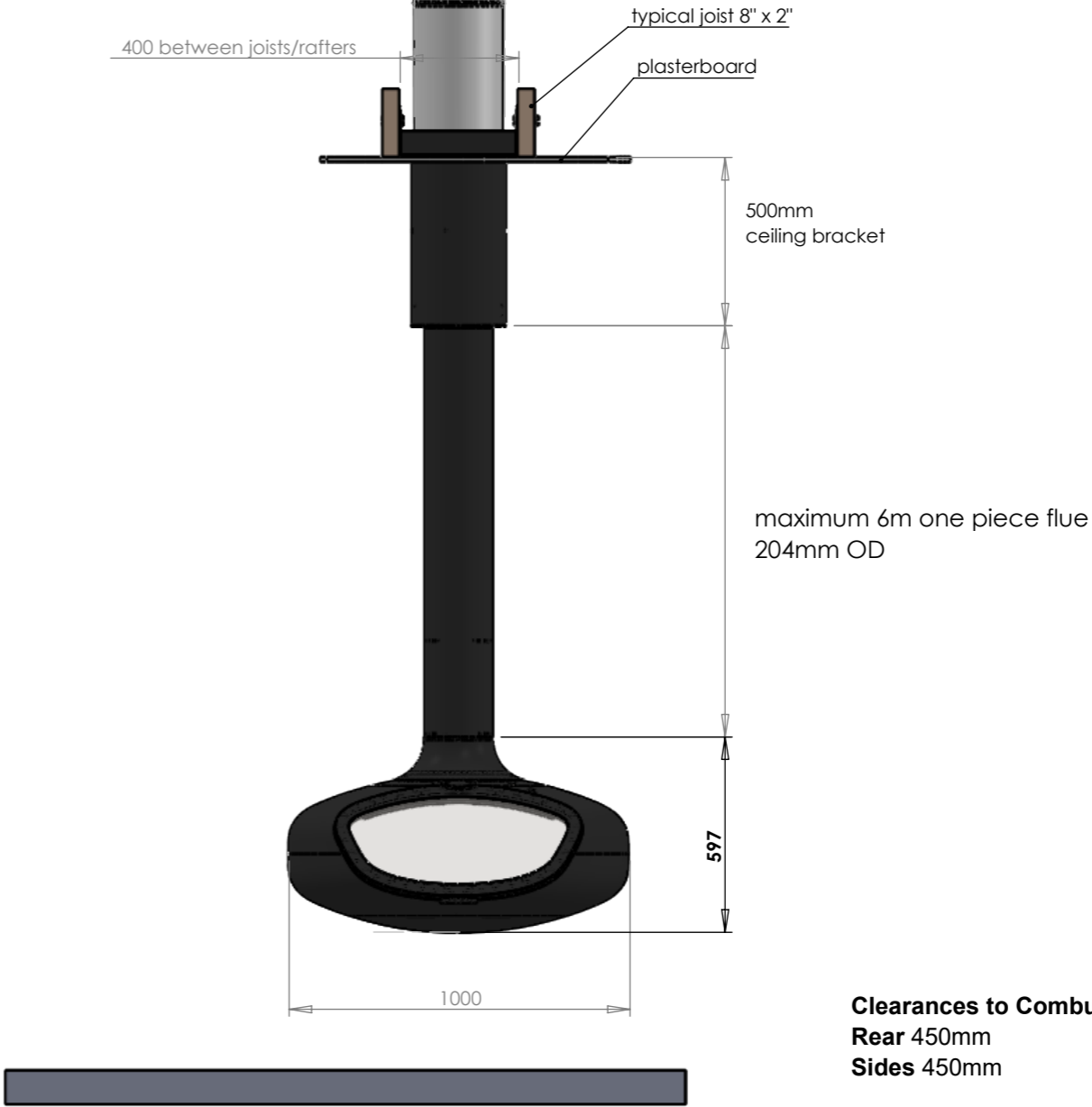
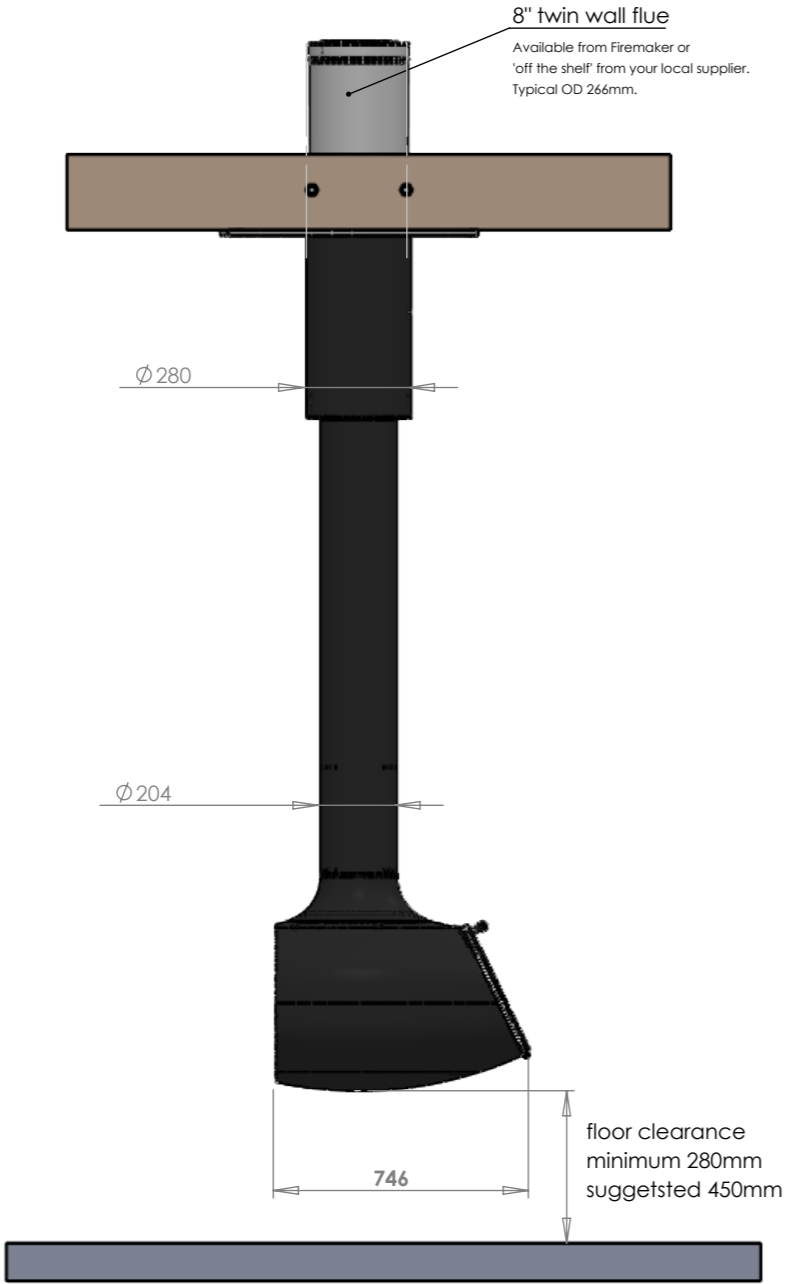
Output
5kW

Ventilation area required 0mm²

Weight
85kg subject to flue length

Firebob 1000mm - reduced depth

Standard flat roof/ceiling fixing shown - custom made fixings available for pitched roof/ceiling.



Clearances to Combustibles & Glazing
Rear 450mm
Sides 450mm

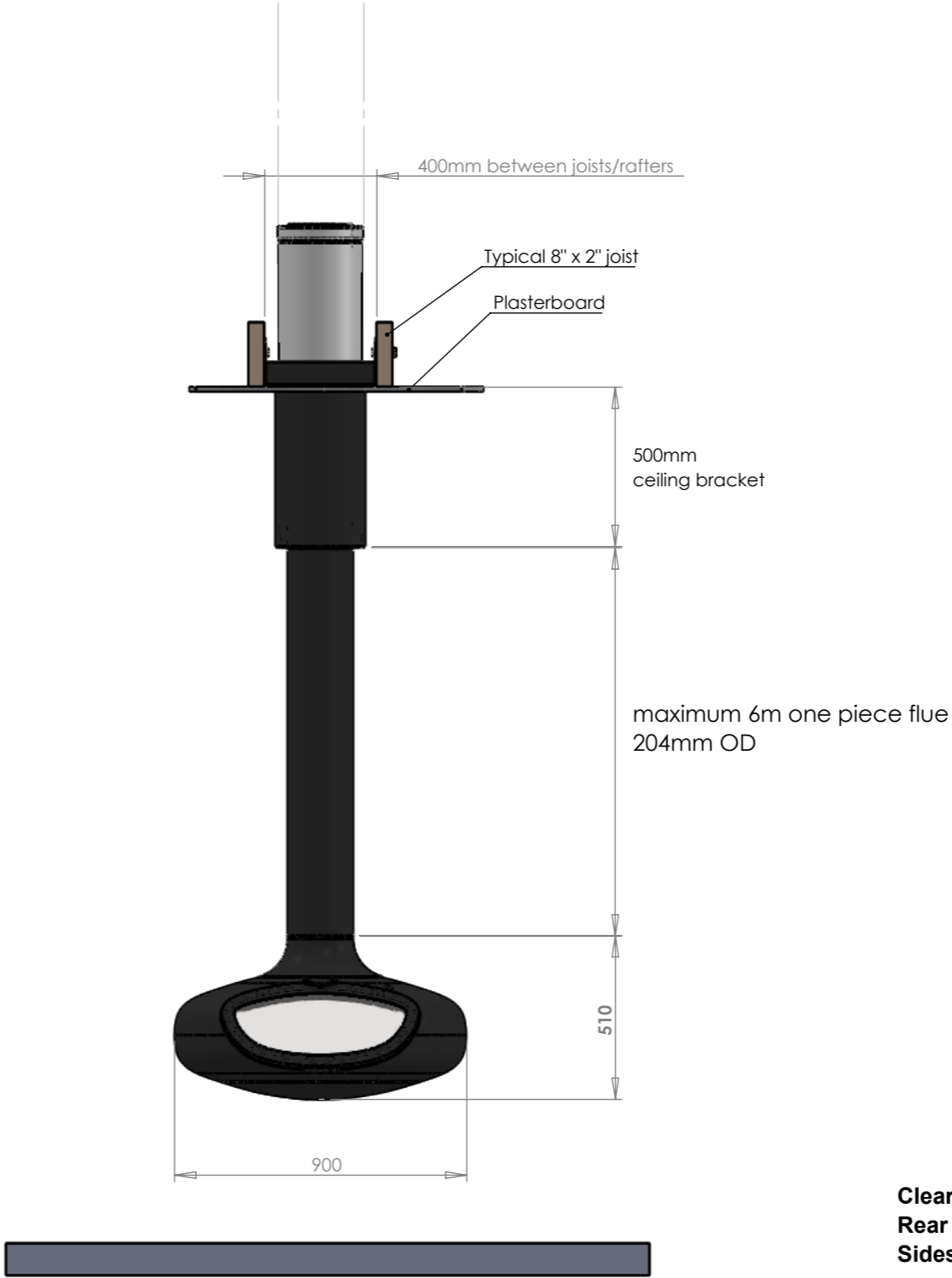
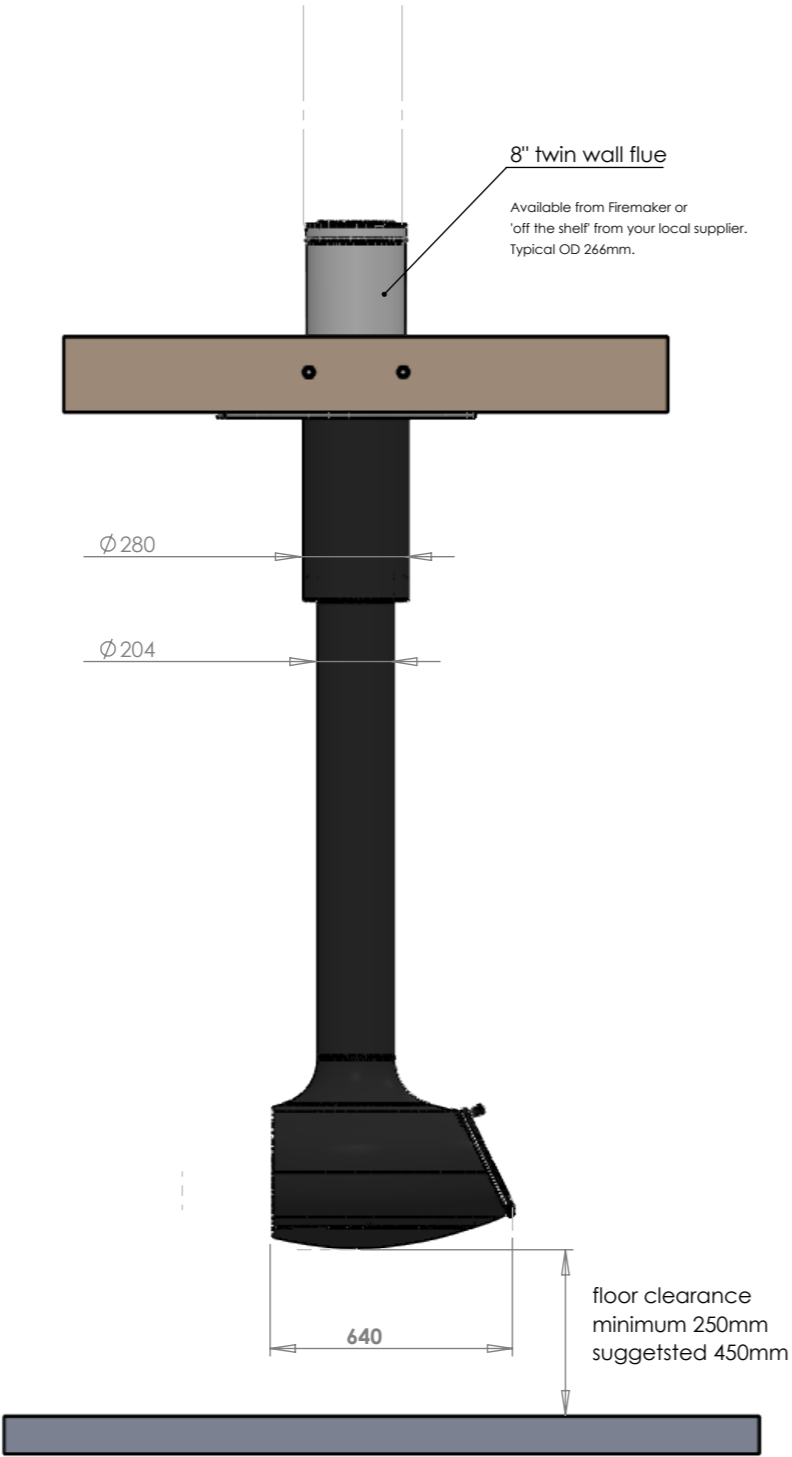
Output
 15kW

Ventillation area required 5500mm²

Weight
 120kg subject to flue length

Firebob 900mm - reduced depth

Standard flat roof/ceiling fixing shown - custom made fixings available for pitched roof/ceiling.



Clearances to Combustibles & Glazing
Rear 450mm
Sides 450mm

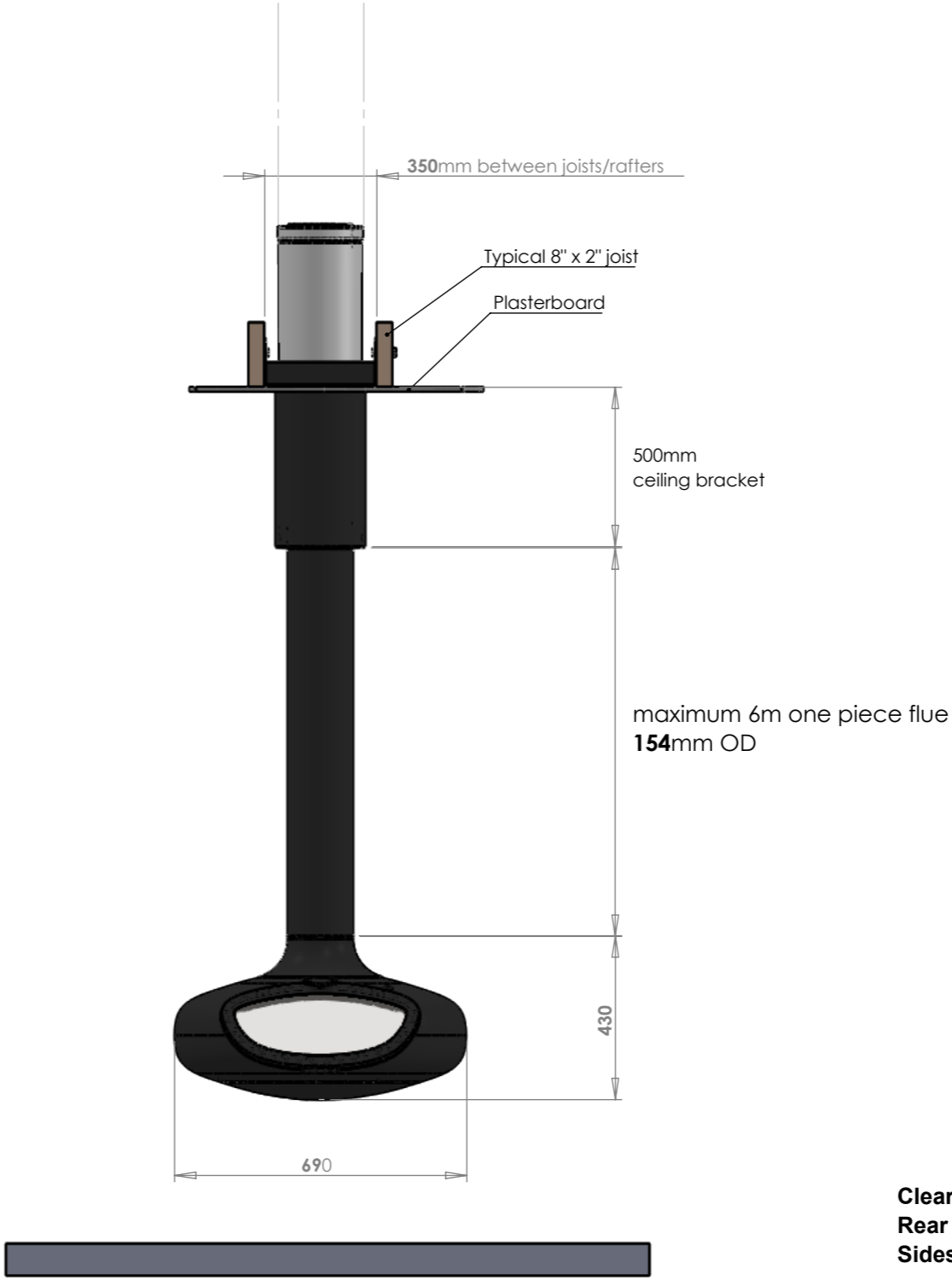
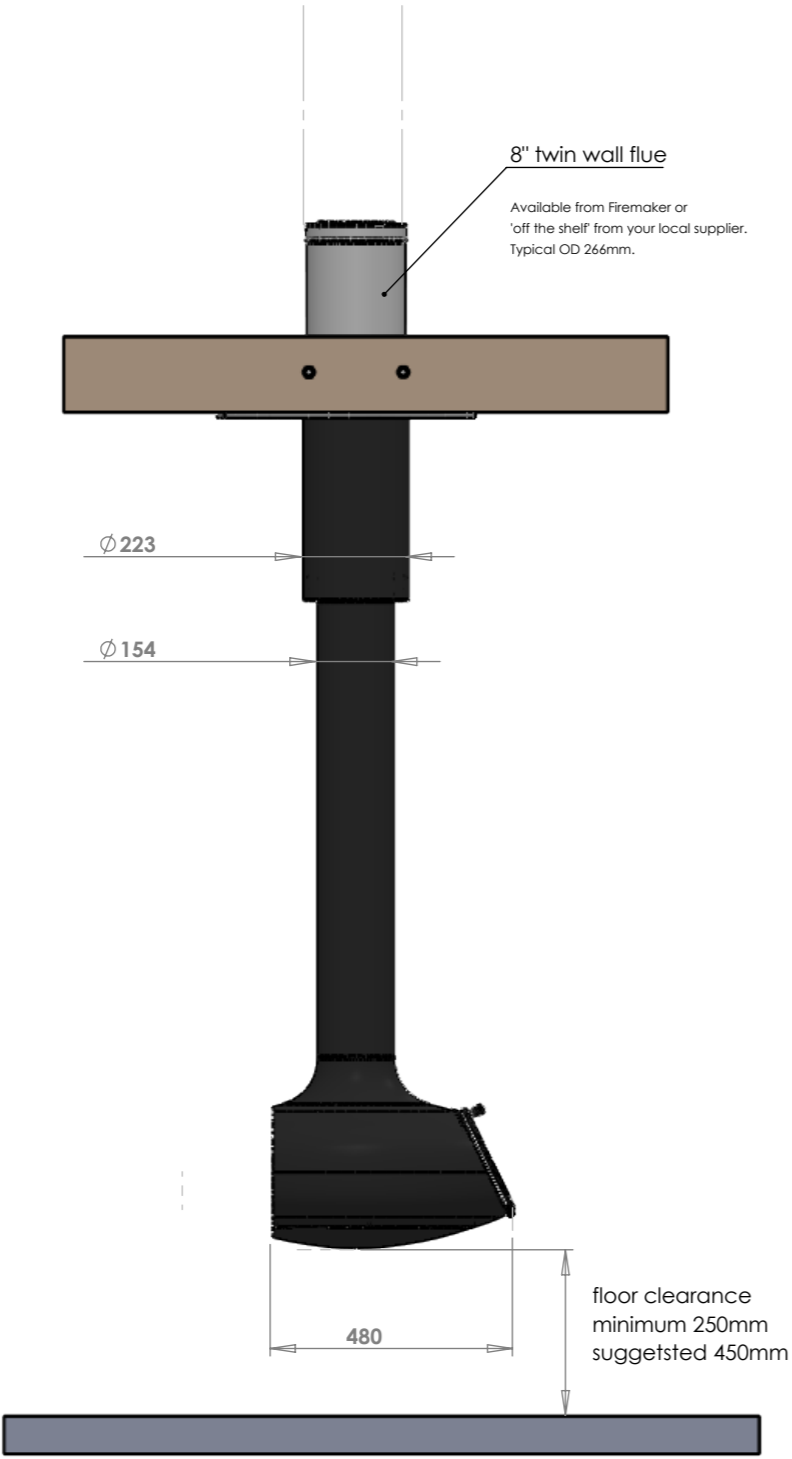
Output
10kW

Ventillation area required 2750mm²

Weight
100kg subject to flue length

Firebob 690mm - reduced depth

Standard flat roof/ceiling fixing shown - custom made fixings available for pitched roof/ceiling.



Clearances to Combustibles & Glazing
 Rear 150mm
 Sides 400mm

Output
 5kW

Ventillation area required 0mm²

Weight
 85kg subject to flue length

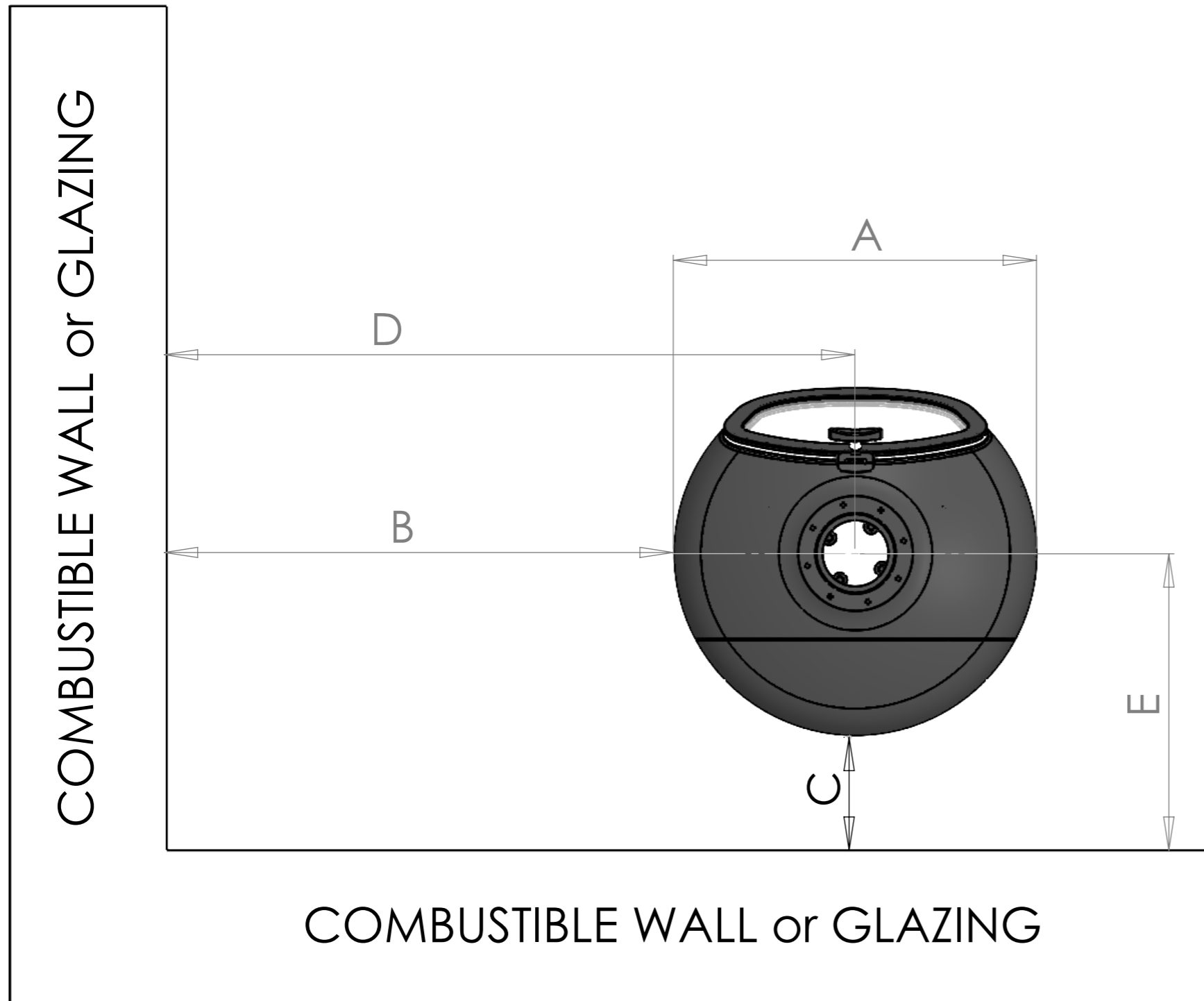
Firebob

Combustible wall minimum clearances

	A	B	C	D	E
FIREBOB 69	690	400	150/205*	745	505/550*
FIREBOB 90	900	450	300	900	750
FIREBOB 100	1000	450	300	950	800

***The UK building regulations requirement to maintain 450mm from the single wall flue to combustibles results in an increase in the clearance to the stove here.**

If the walls are of non-combustible material then the fire can be positioned with a minimum clearance of just 50mm to the wall.

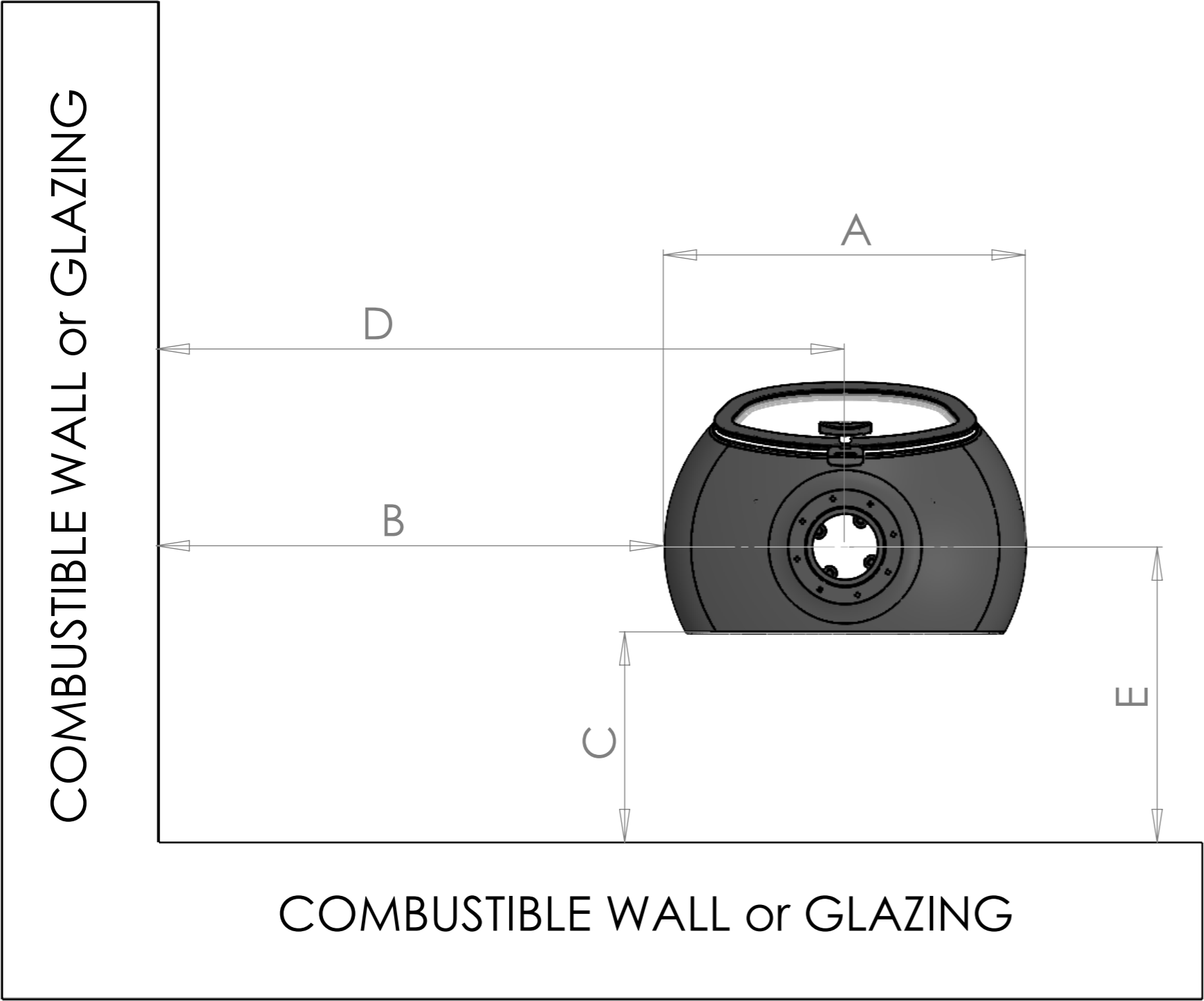


Firebob Flat-Back

Combustible wall minimum clearances

	A	B	C	D	E
FIREBOB 69	690	400	400	745	564
FIREBOB 90	900	450	450	900	700
FIREBOB 100	1000	450	450	950	703

If the walls are of non-combustible material then the fire can be positioned with a minimum clearance of just 50mm to the wall.

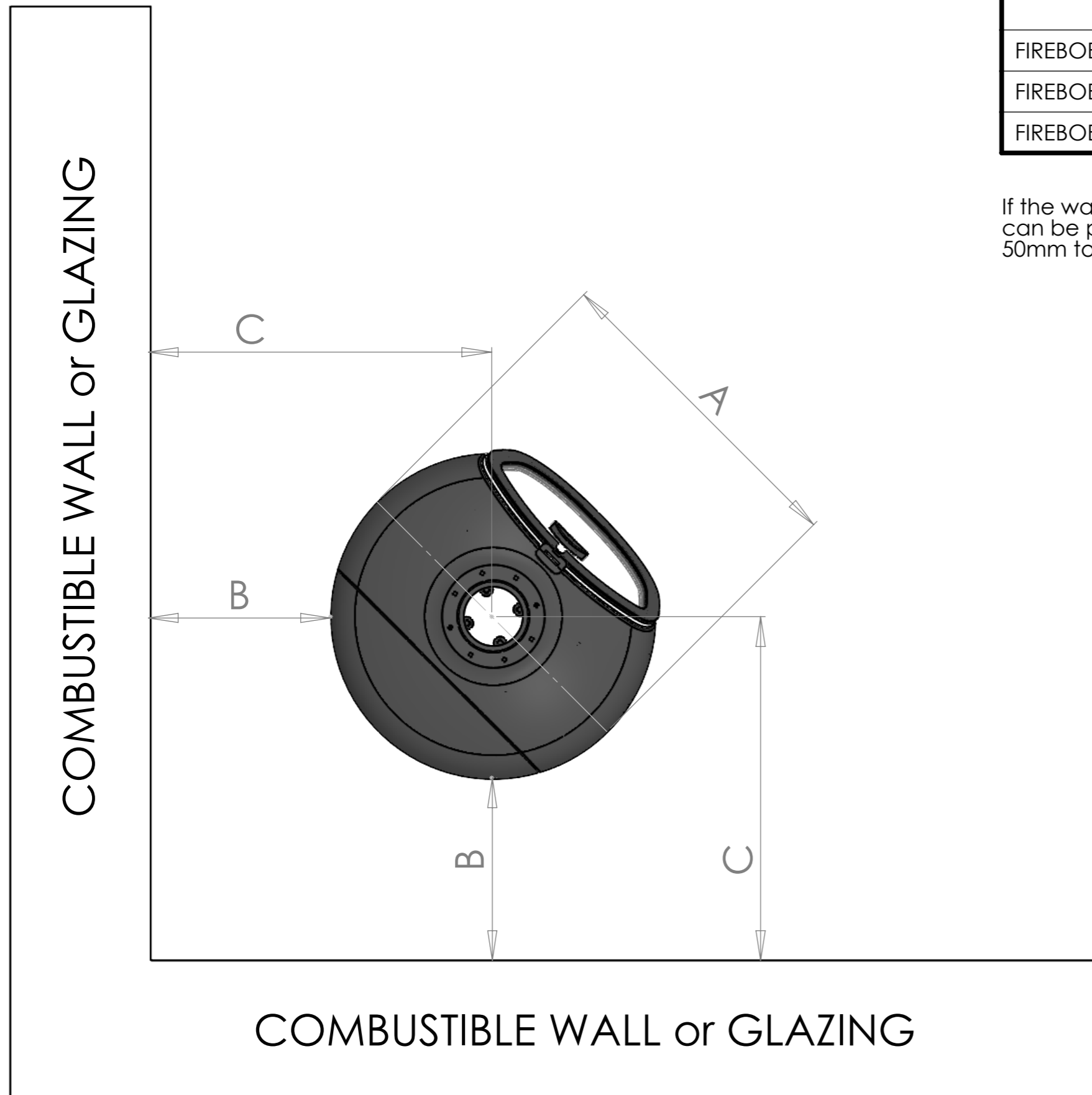


Firebob & Firebob Flat-Back

Corner combustible wall minimum clearances

	A	B	C
FIREBOB 69	690	400	745
FIREBOB 90	900	450	900
FIREBOB 100	1000	450	950

If the walls are of non-combustible material then the fire can be positioned with a minimum clearance of just 50mm to the wall.





Firebob Install

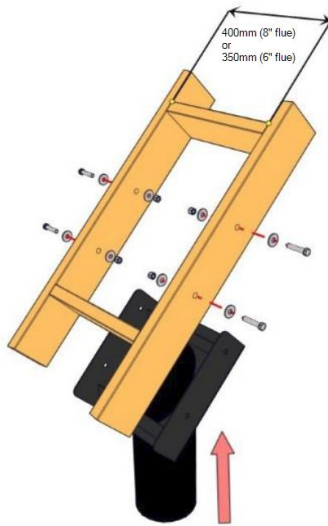
This shows a typical pitched roof installation.

Flat roof installation is the same.

Please contact us if you'd like to discuss variations on the install.

T: 01387 376765

E: info@firemaker.co.uk



Ceiling Bracket

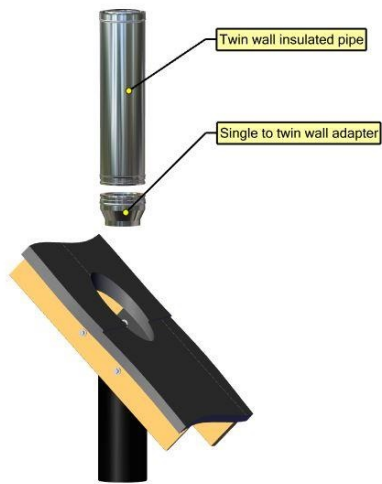
Fix the custom-made bracket to your ceiling joists/rafters/trusses (we'll make a bracket to suit your roof timbers or steel structure).



Ceiling Bracket

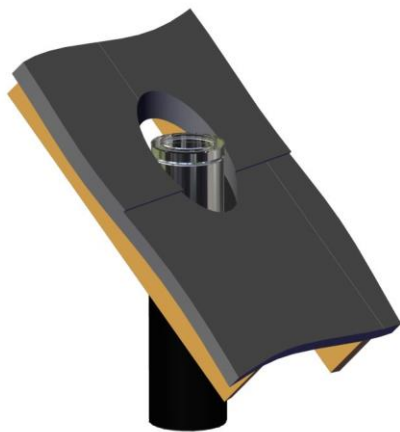
Plumb the bracket to make sure it is vertical.

Once the bracket is in place then the ceiling can be plastered around the bracket if required.



External flue

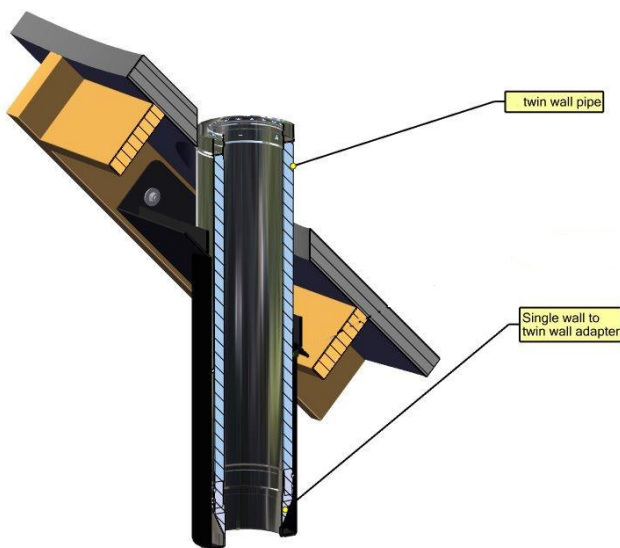
Attach a single wall adapter to the bottom of the first length of twin wall pipe and drop down into the socket. Make sure the adapter fits into the ring at the bottom of the bracket.



External flue

The flue is 6" or 8" insulated twin wall pipe. Available from Firemaker or any flue supplier.

Polished stainless steel as standard but also available in powder coated RAL colours.



External flue

Cross section showing the twin wall pipe and adapter in position.

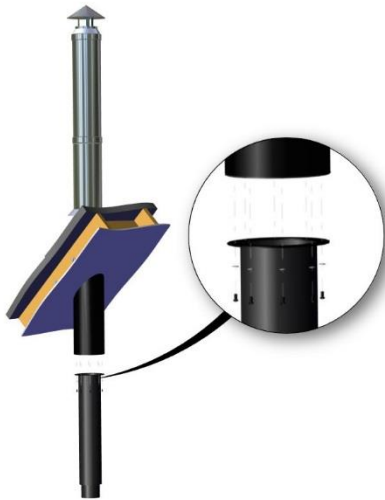


External flue

The roof flashing and the rest of the external flue parts can now be fitted.

Check local building regulations to determine height of flue required.

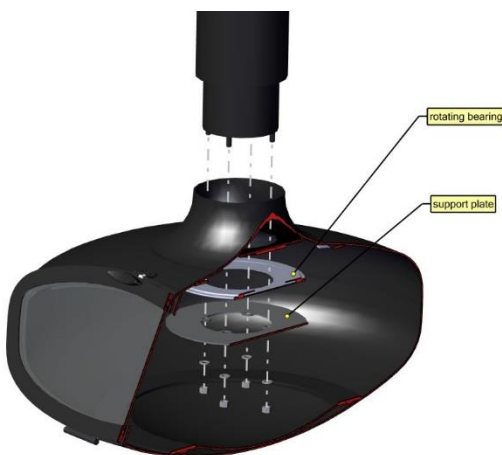
(Google 'building regs document J' for UK).
Page 26 on the PDF.



Internal flue

The internal flue comes in one piece (up to 6m long) to suit your ceiling height.

This is attached to the ceiling bracket with the eight m8 washers and bolts provided.

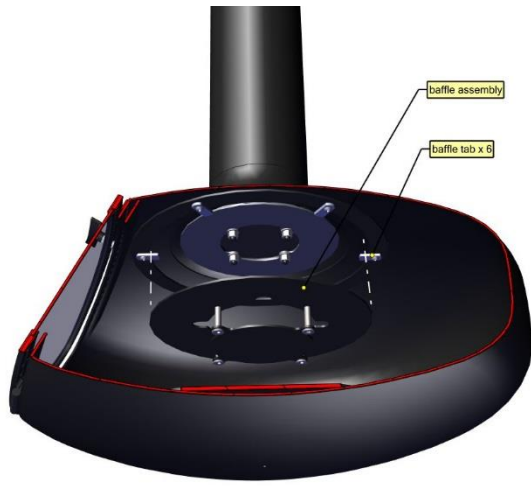


Fire body

Jack or pack up the stove so that the flue shoulder goes fully inside the stove body.

Open the door. Position the rotating bearing and support plate in the top of the stove and fix in place with the four washers and nuts.

You'll need three hands for this unless you're strong and dexterous!



Baffle assembly

Fit the baffle in the top of the stove.

Note the baffle design differs between the different models and the image here is just an example.

Ready to light!