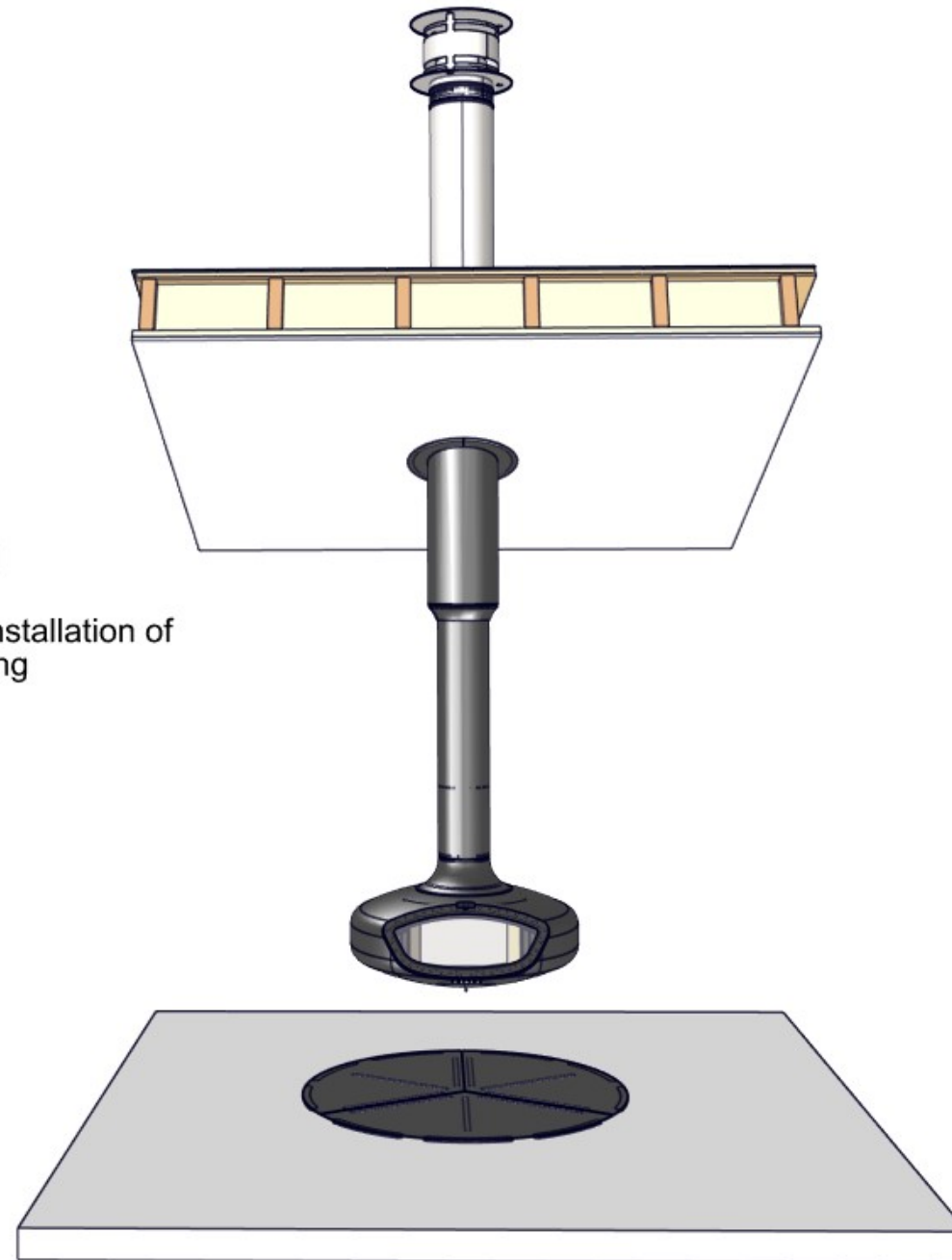


FireBob Installation

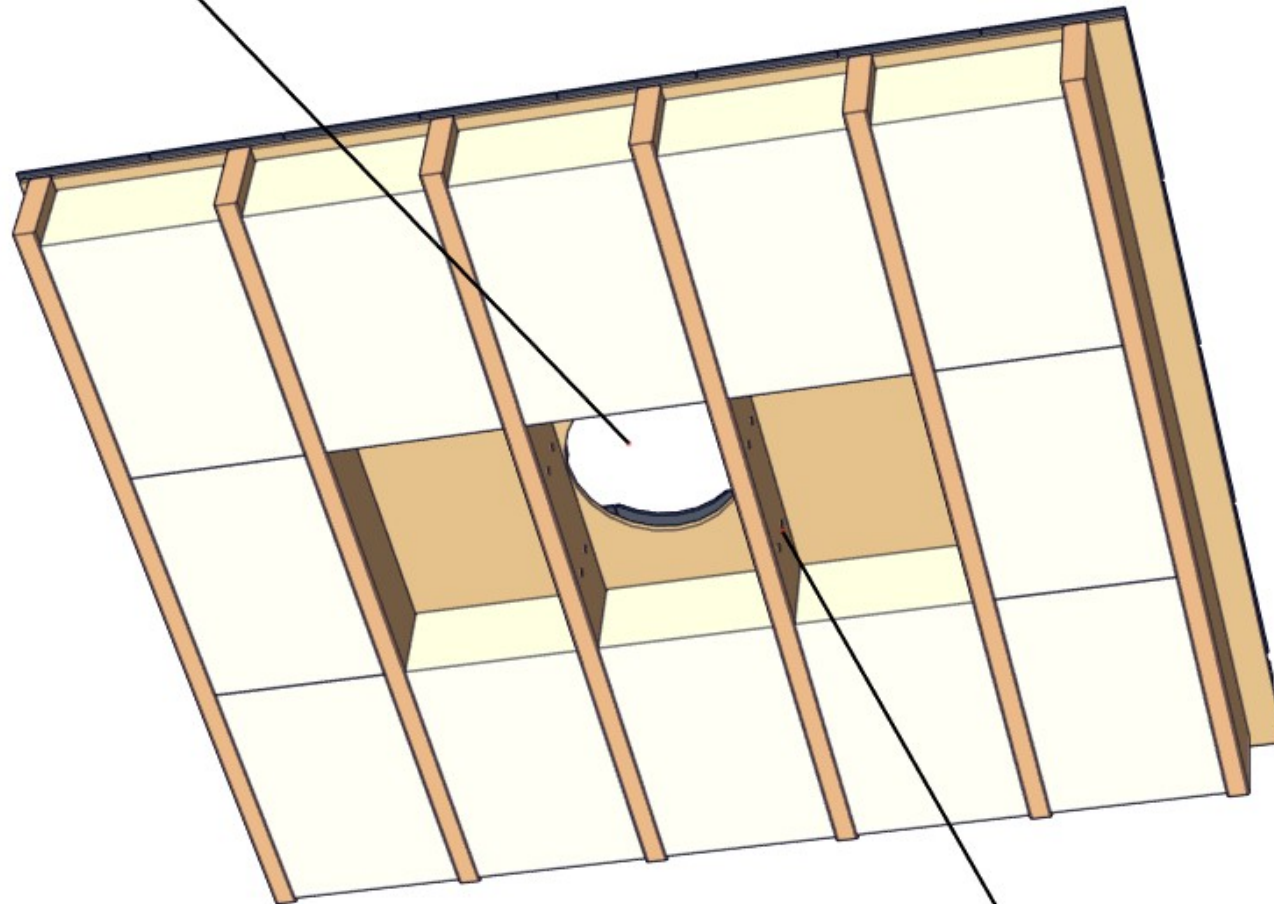
The images here show a typical installation of a FireBob in a single storey building with a pitched roof.

Other types of installation:

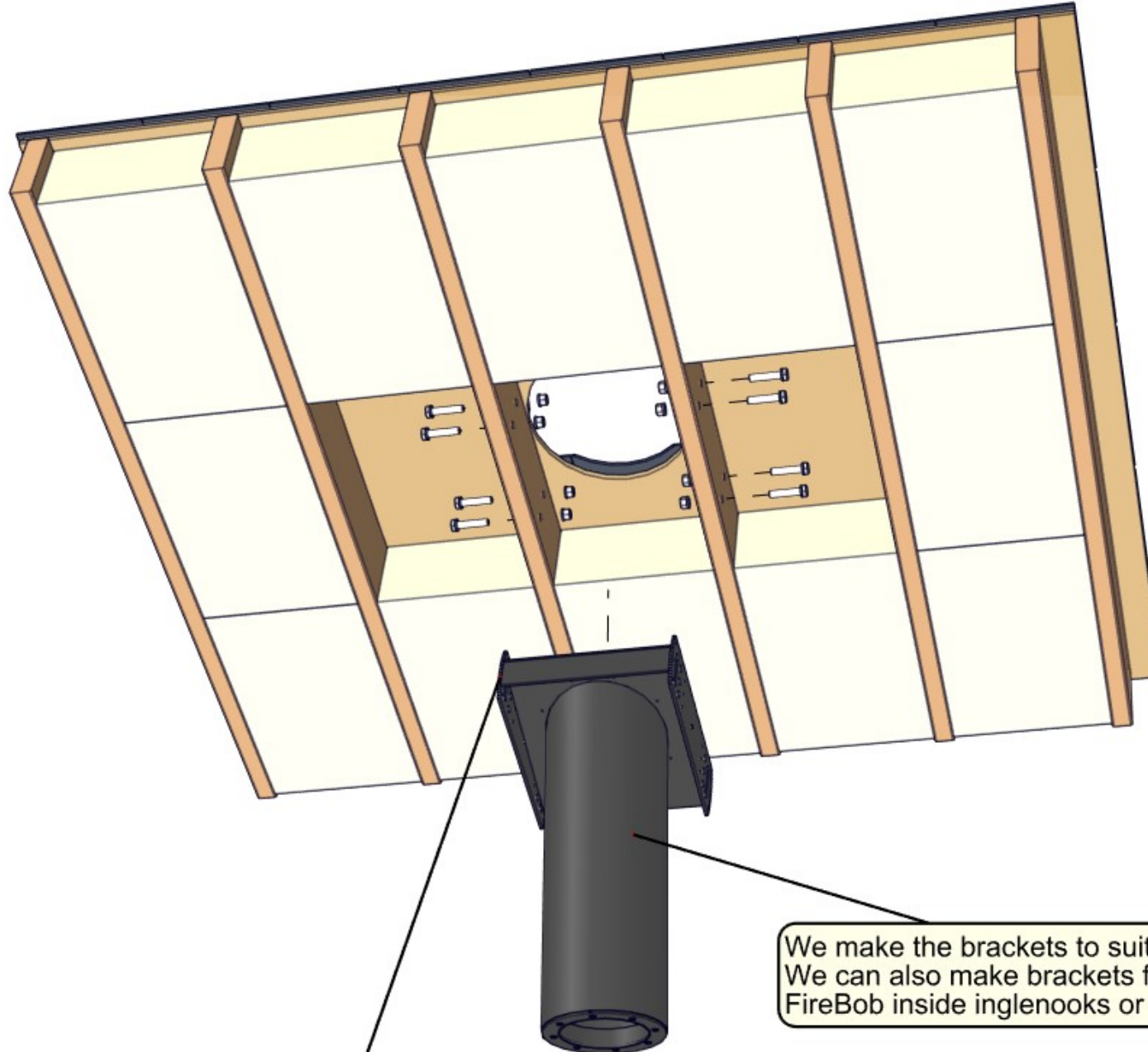
- Flat ceiling
- Multi-storey house
- Wall-mounted
- Free-standing
- Wall-exit flue



Cut away the roof covering and any insulation to give room for the twin-wall flue to be installed.
There should be clearance of 60mm between the twin-wall flue and anything combustible.

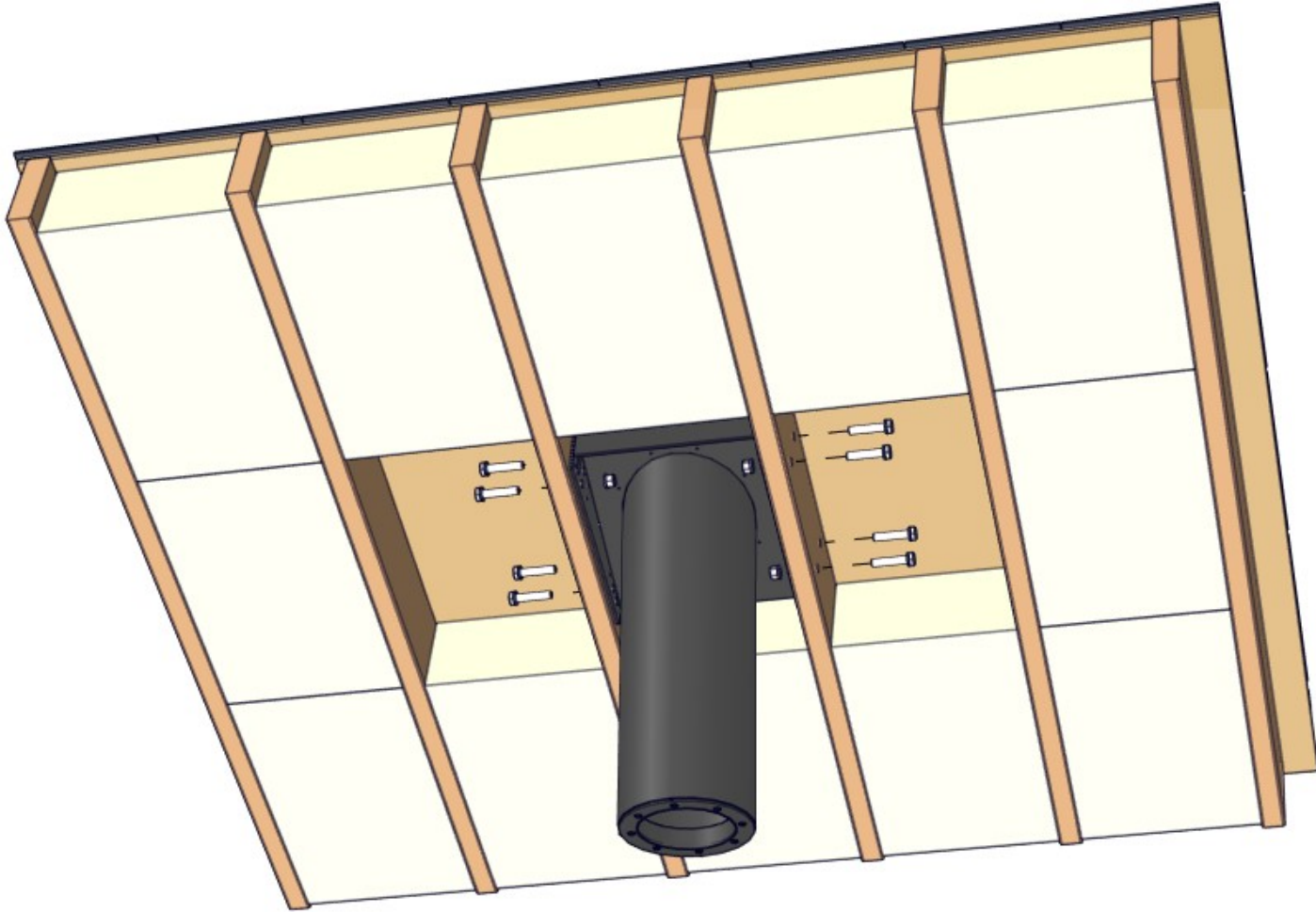


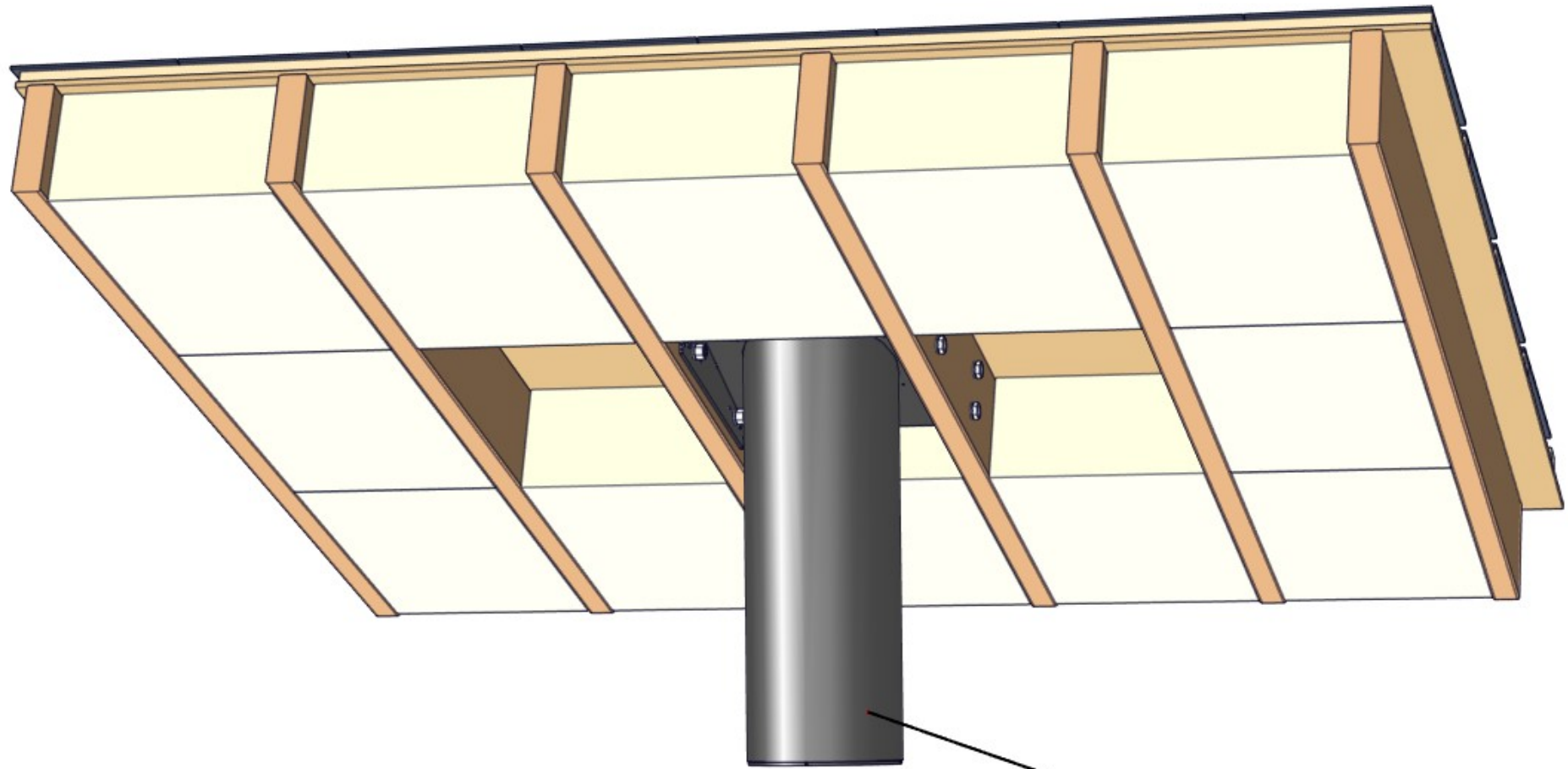
Gain access to the rafters or joists.
Remove plasterboard and insulation as necessary.
Drill holes in the timbers to clear the M16 bracket securing bolts



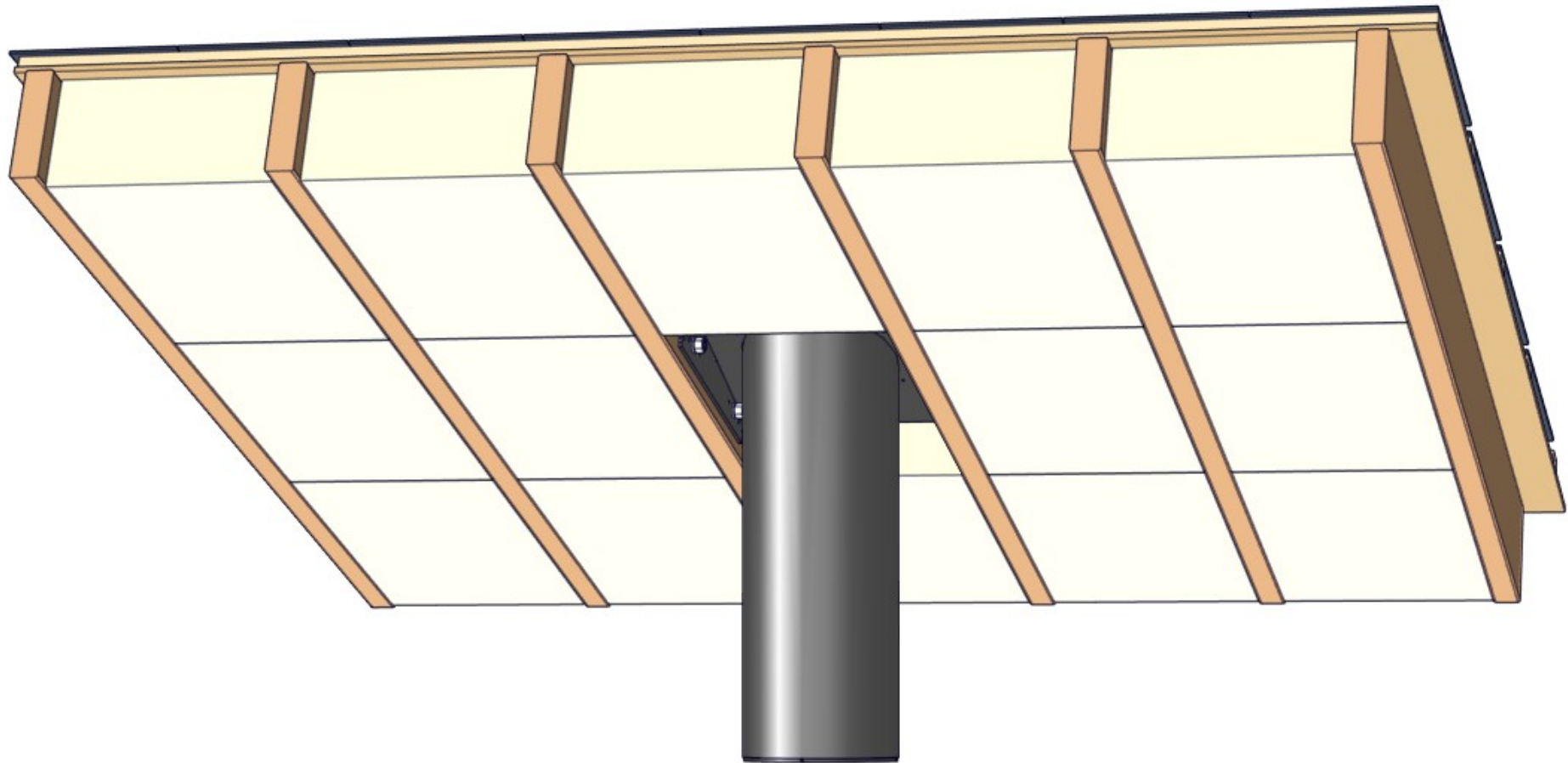
The bracket is 400mm wide for the 90cm and 100cm FireBob and 350mm wide for the 69cm FireBob.

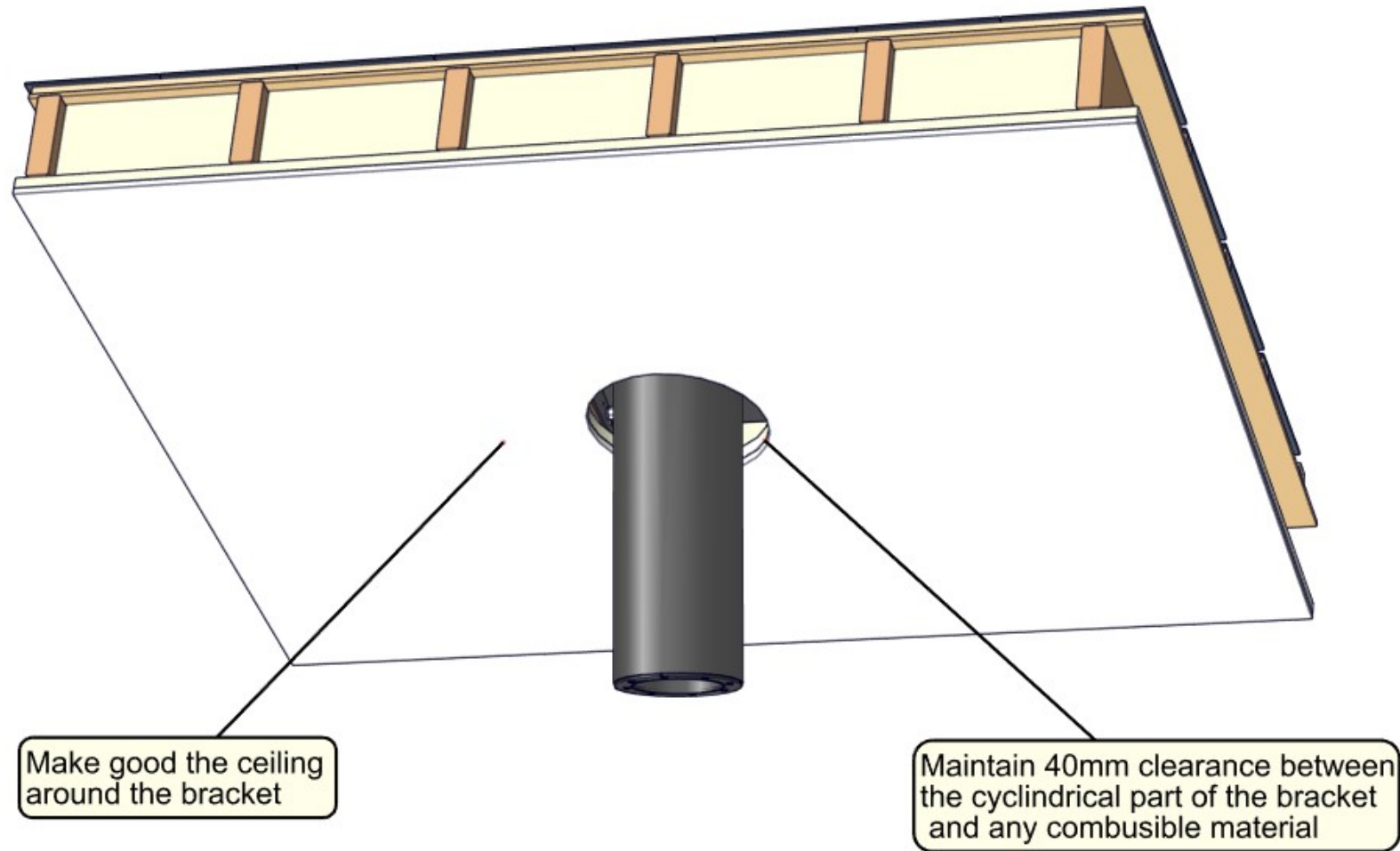
We make the brackets to suit a pitched or flat roof. We can also make brackets for suspending the FireBob inside inglenooks or to concrete ceilings.

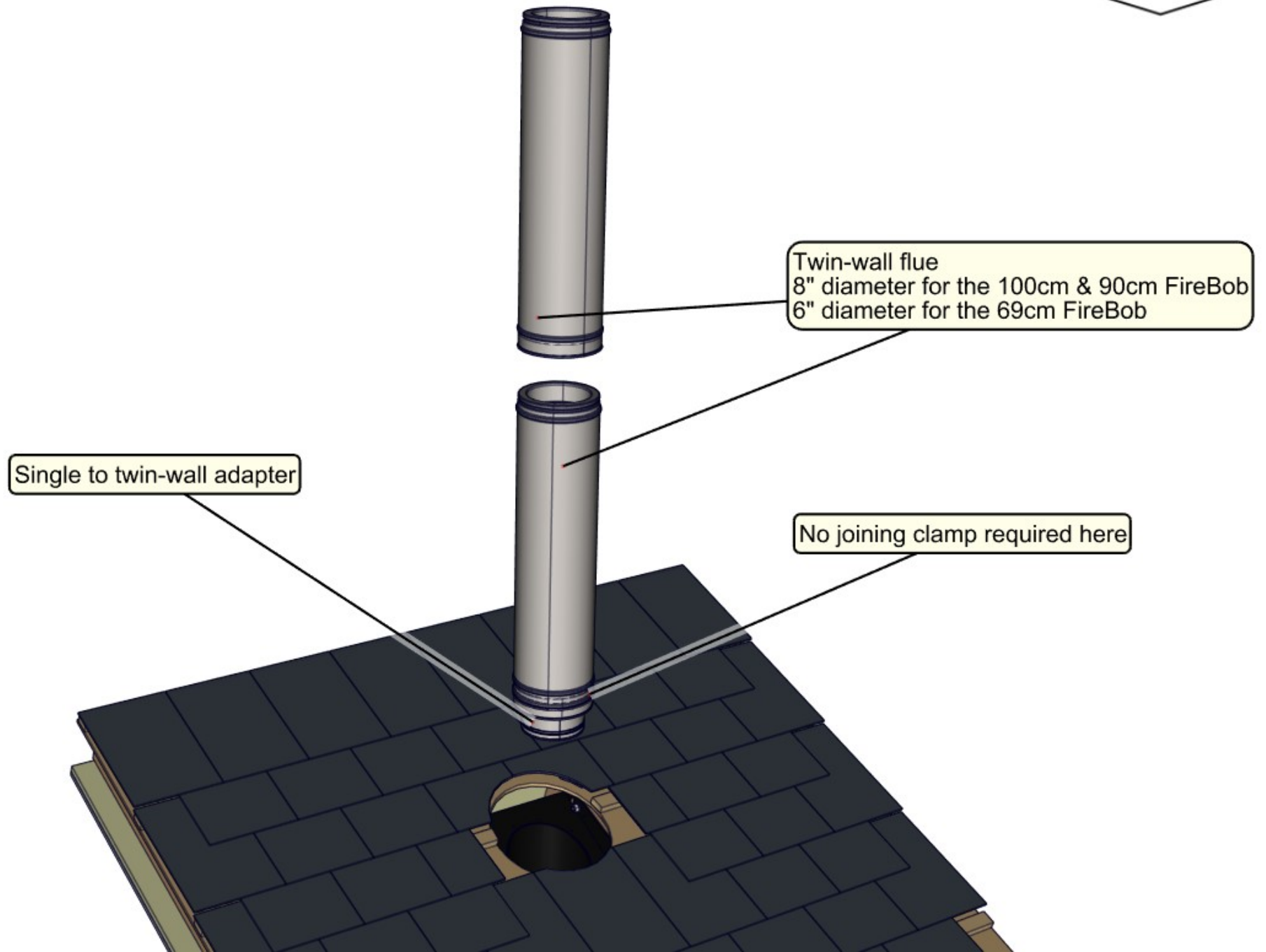


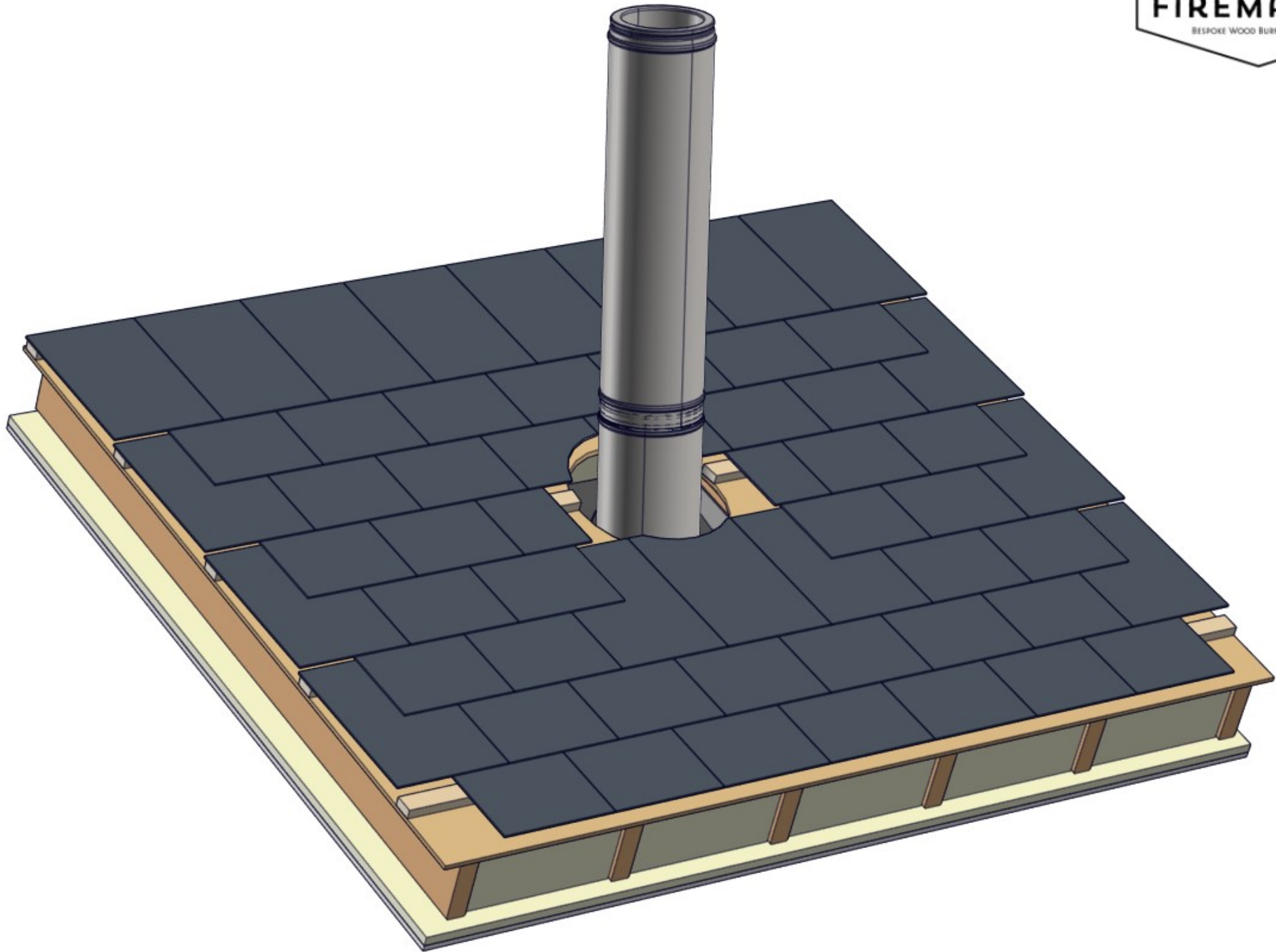


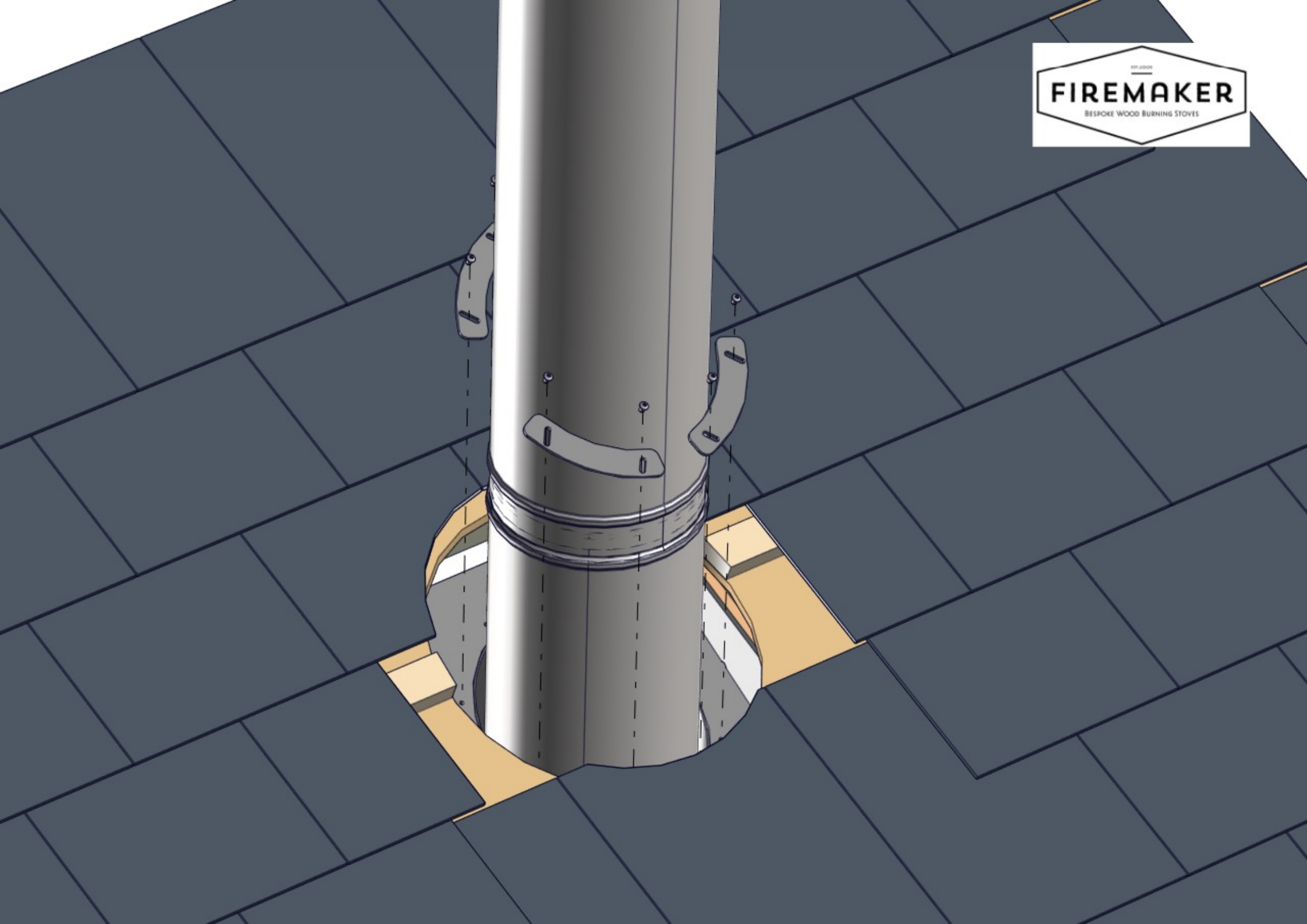
Make sure the bracket is 'plumb'.

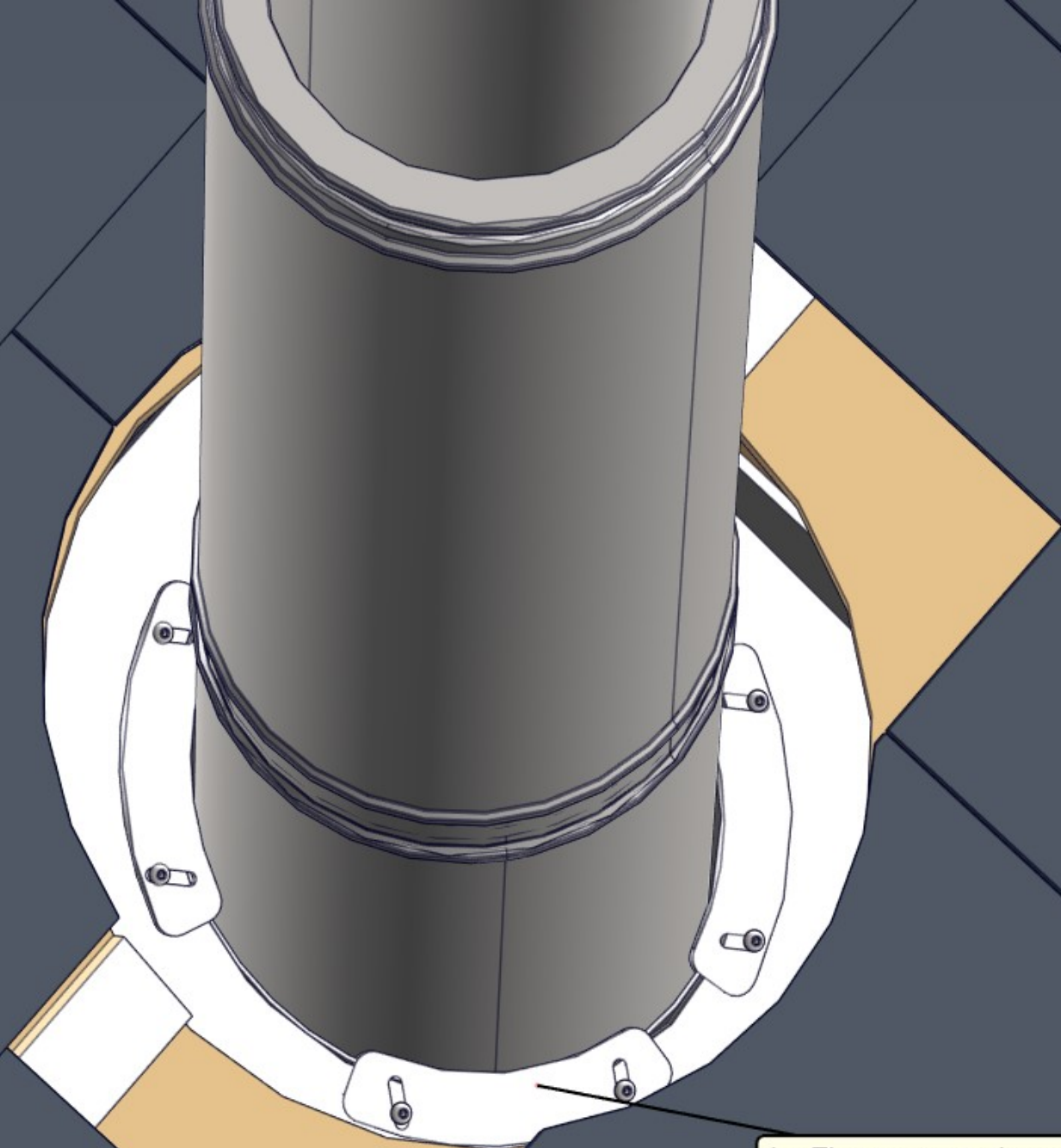




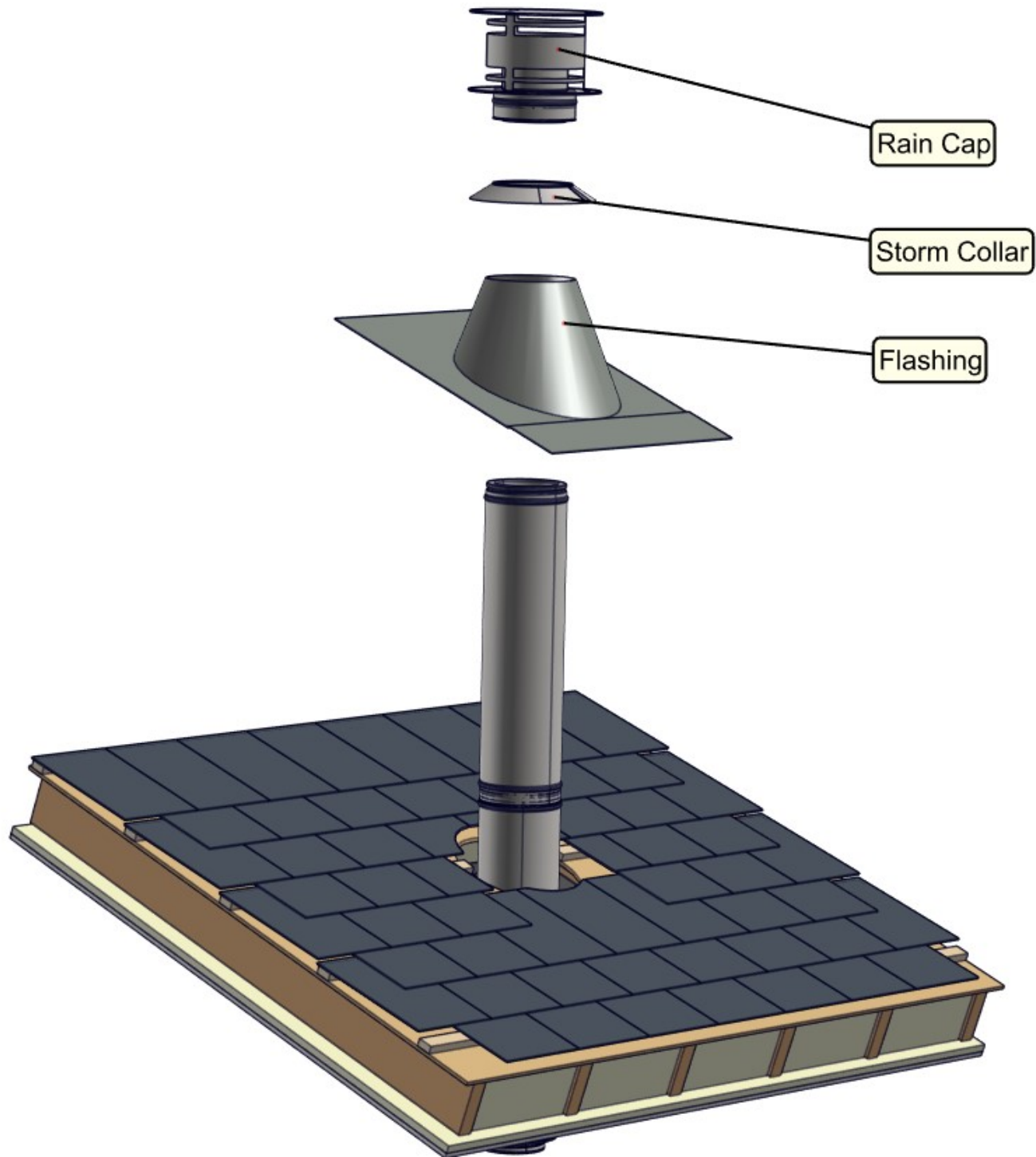








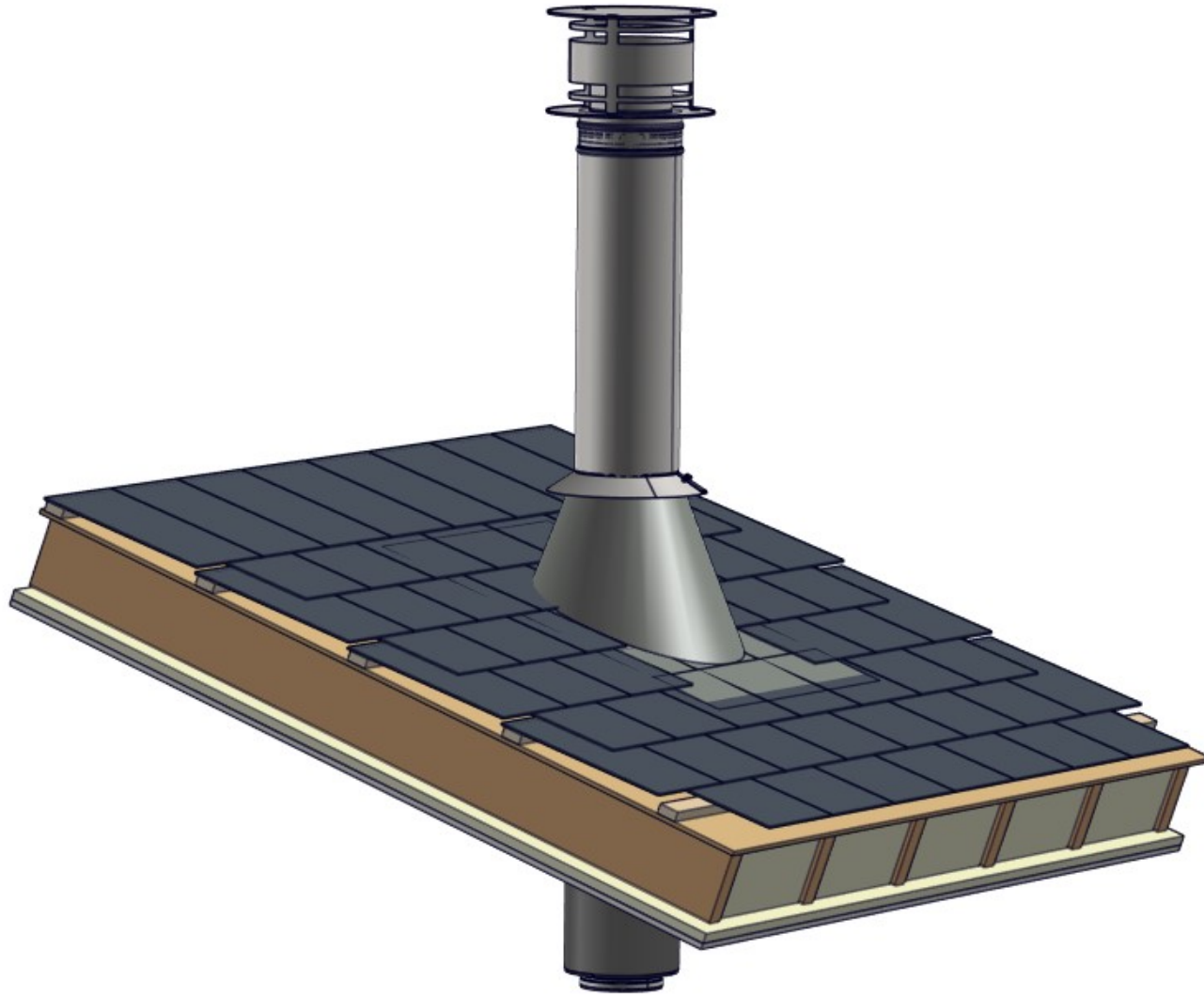
4 x Flue support clamps

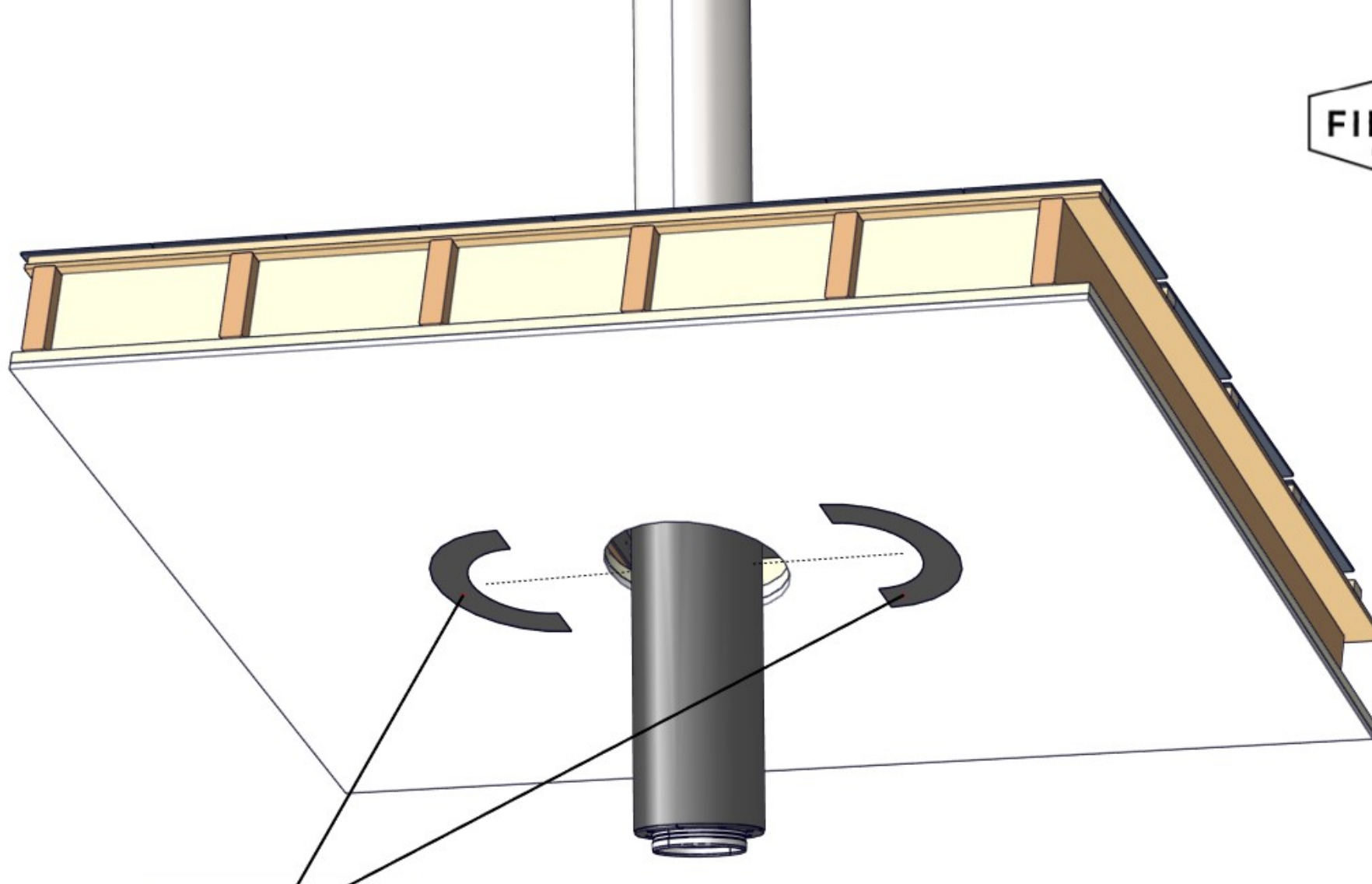


Rain Cap

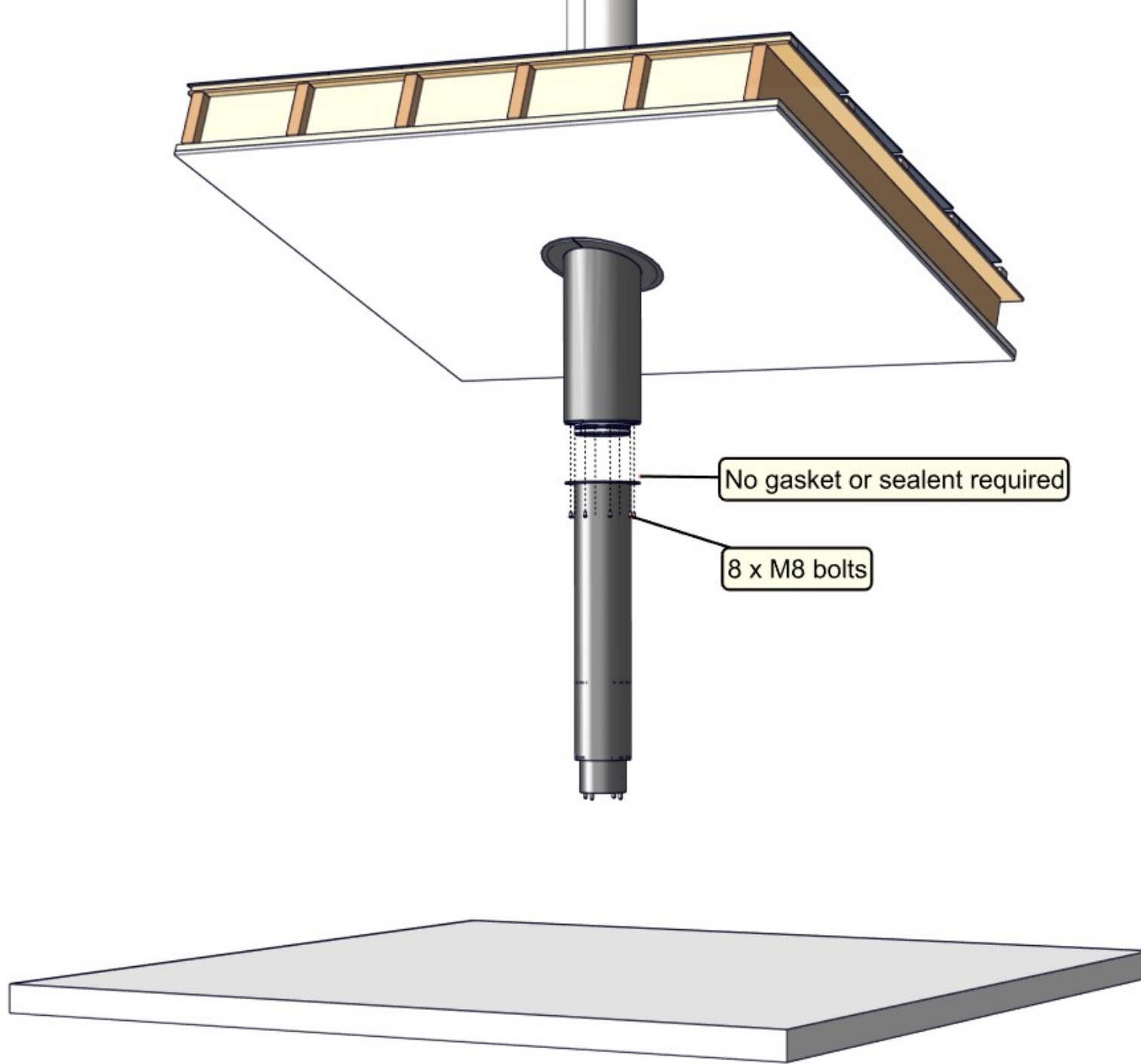
Storm Collar

Flashing



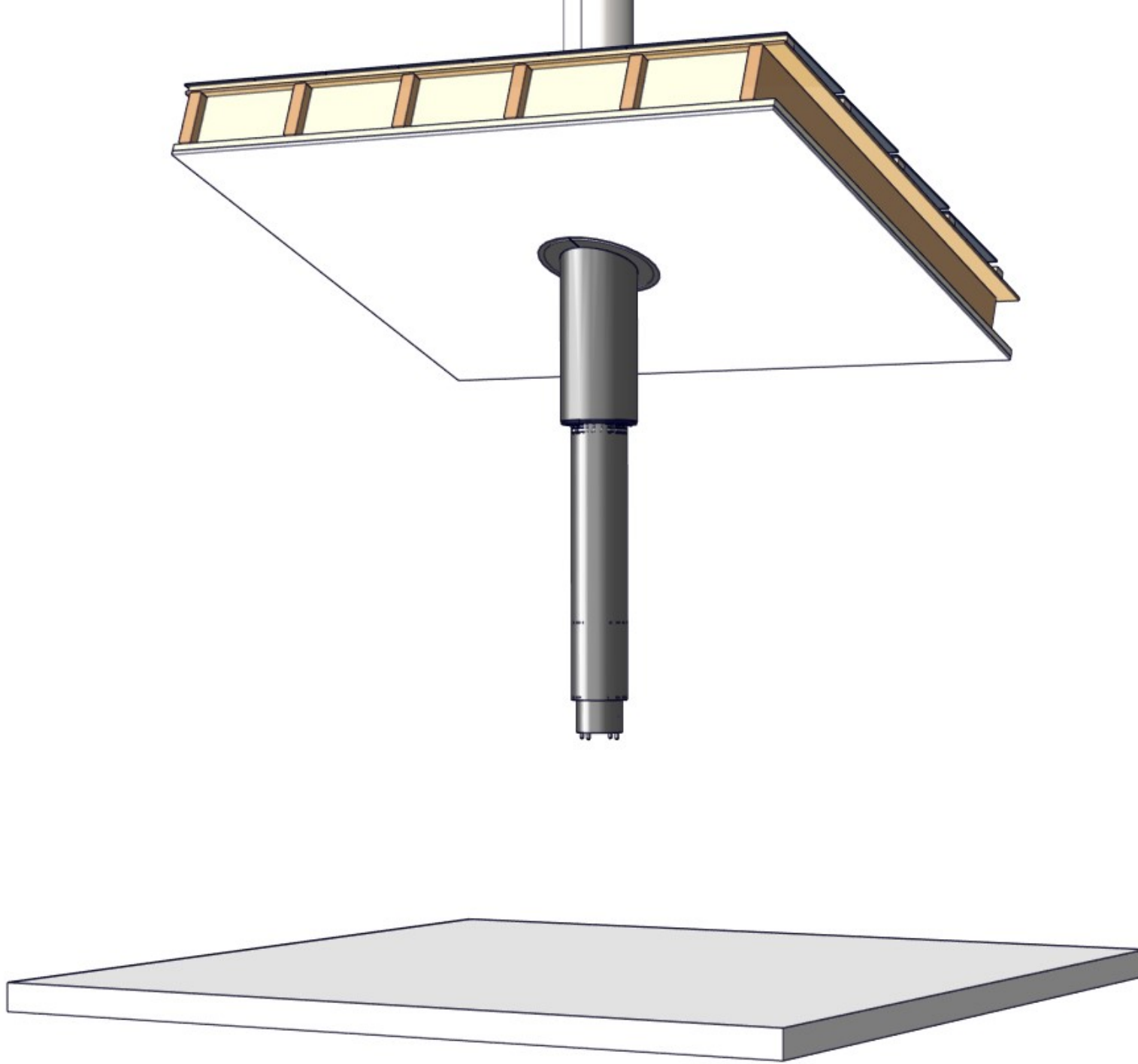


Ceiling Collar.
Silicone to the ceiling.

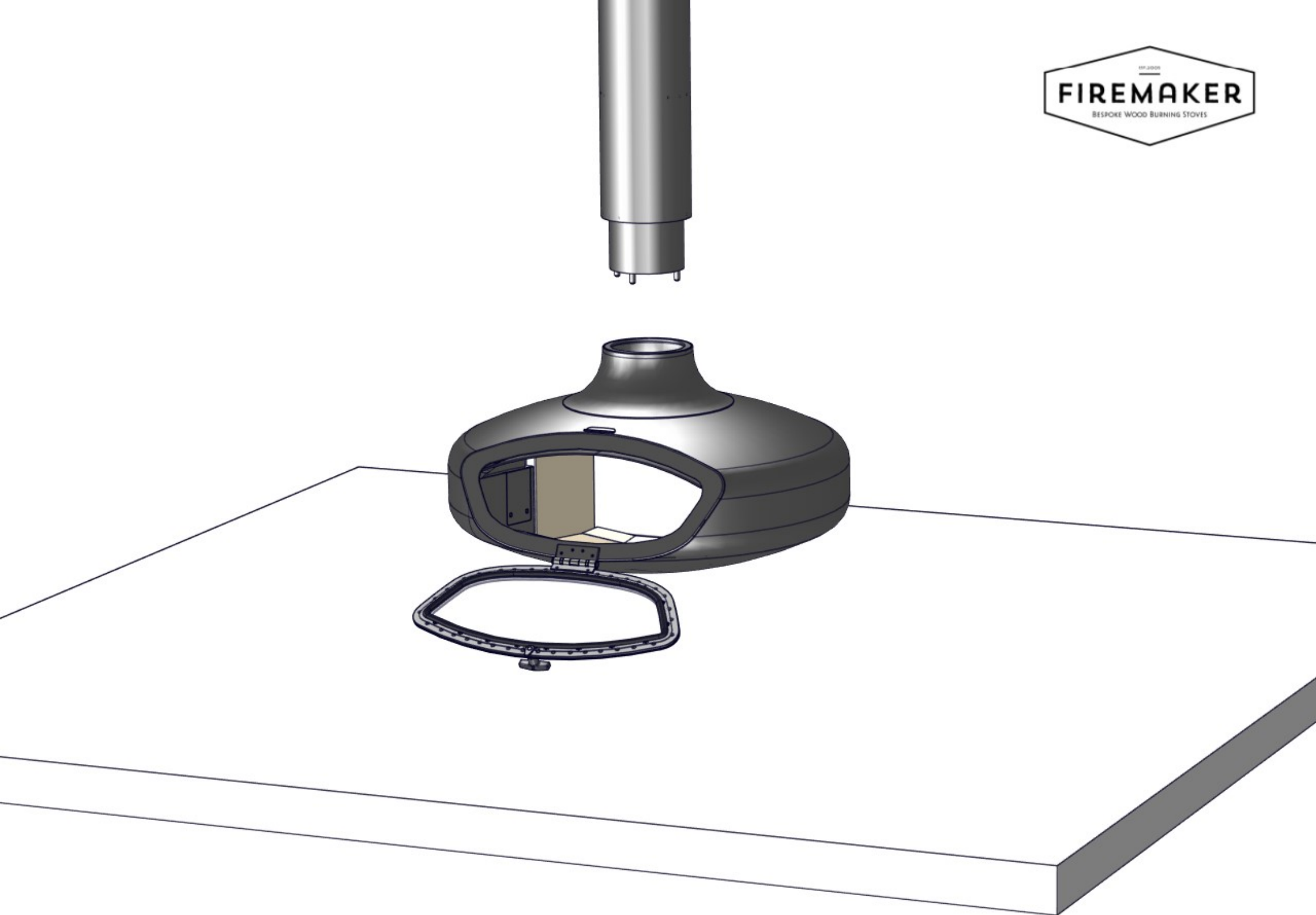


No gasket or sealant required

8 x M8 bolts

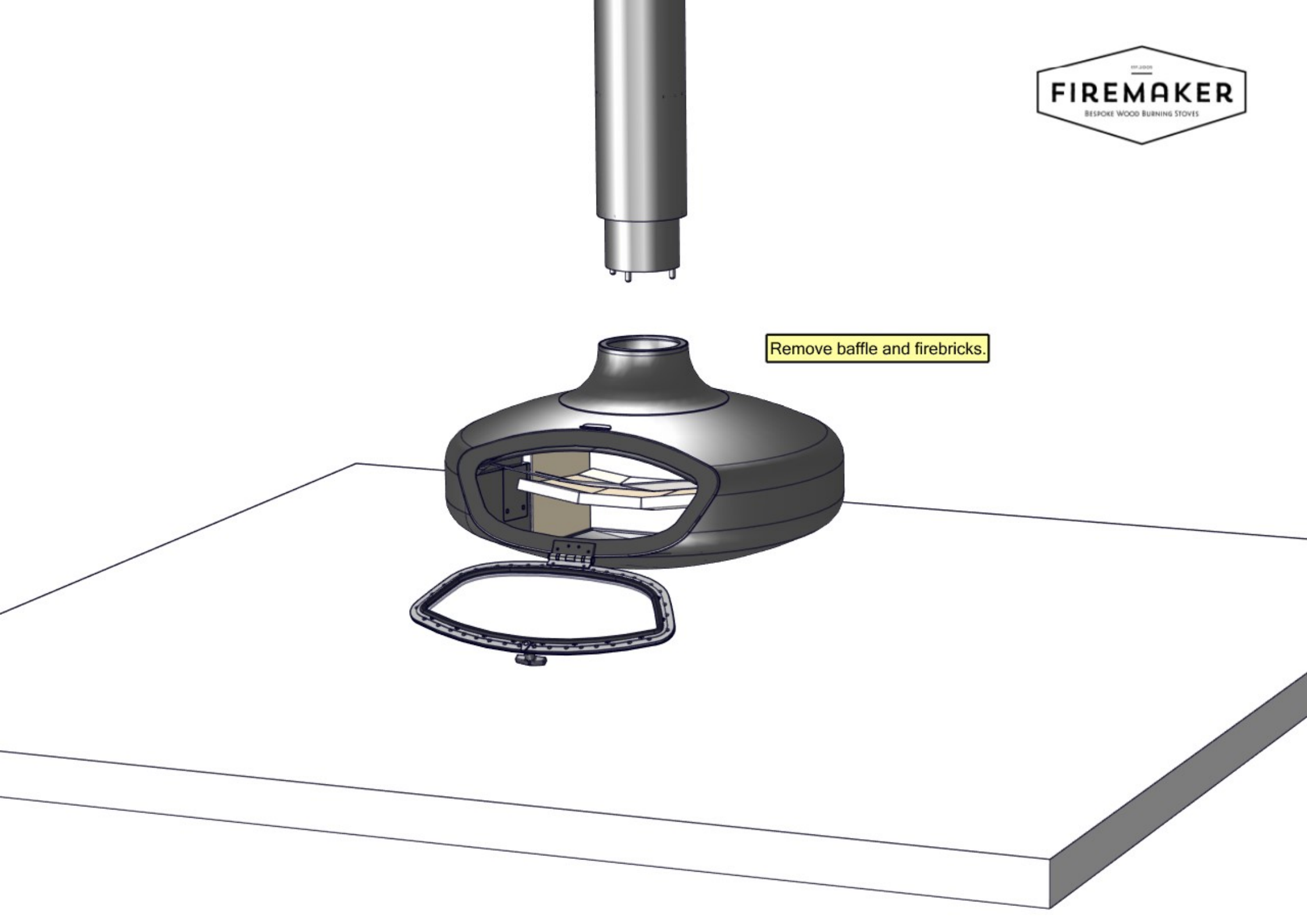




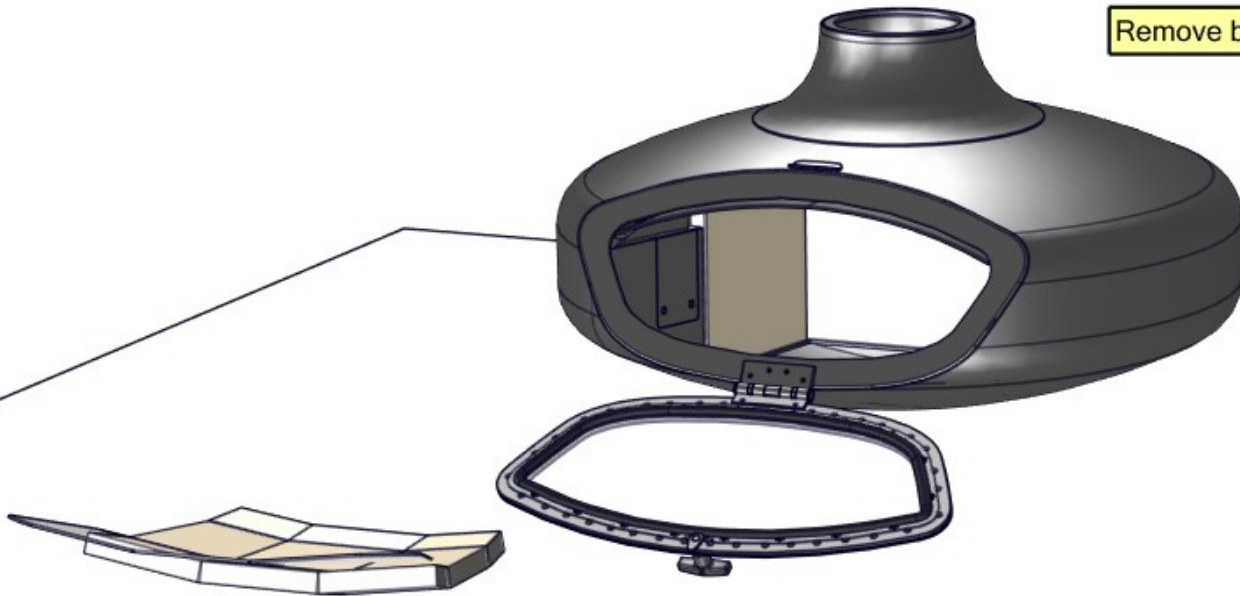




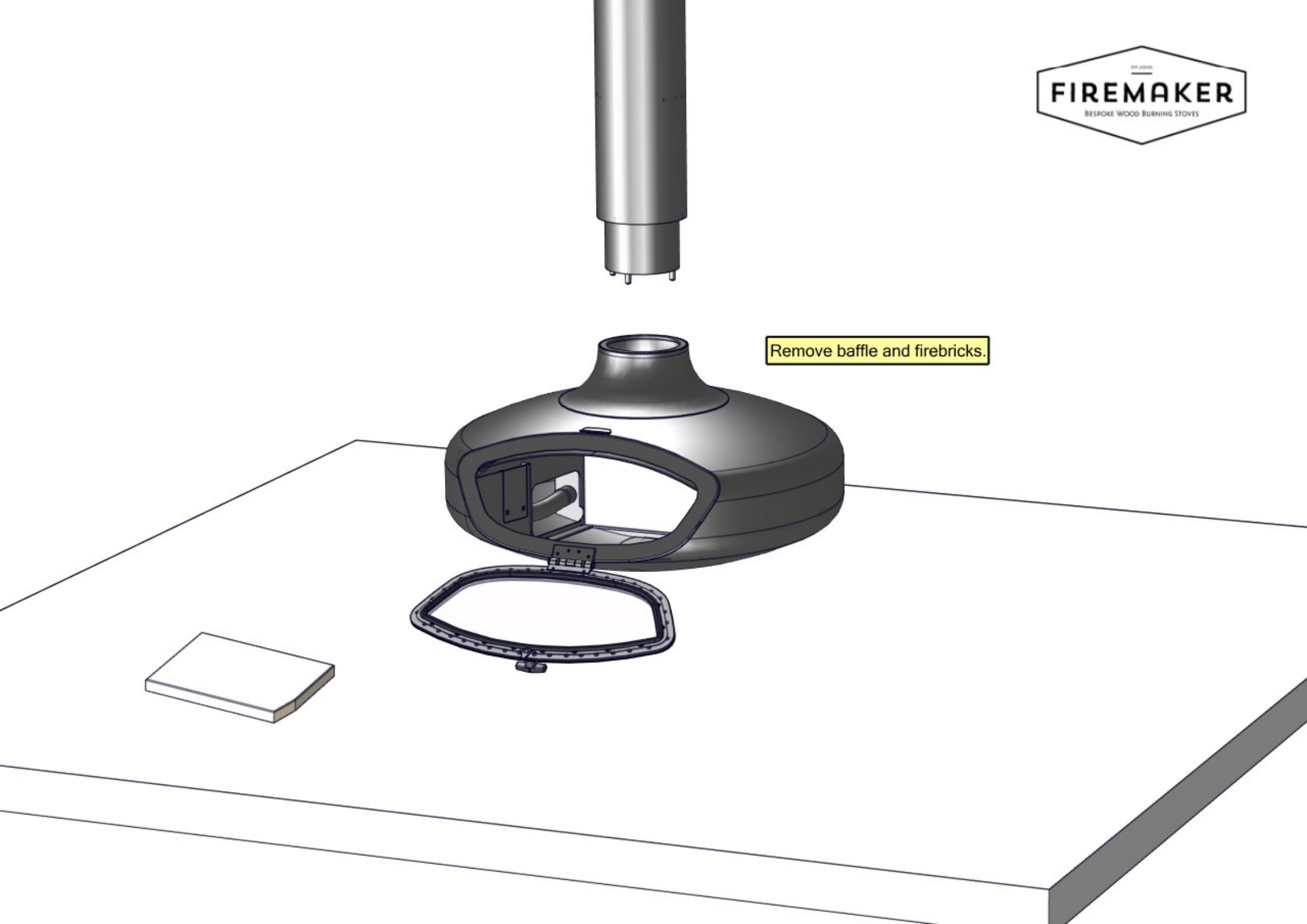
Remove baffle and firebricks.



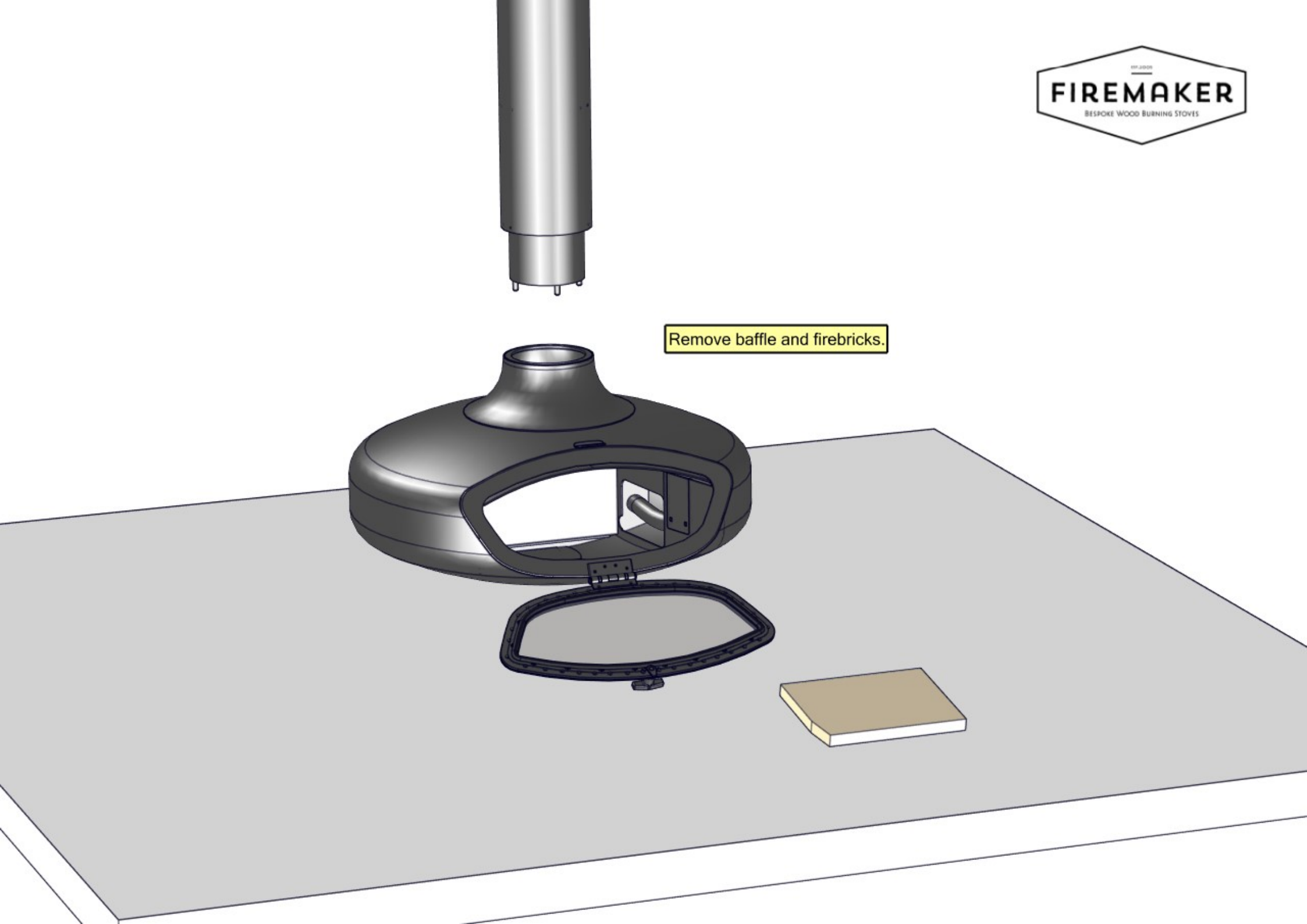
Remove baffle and firebricks.



Remove baffle and firebricks.



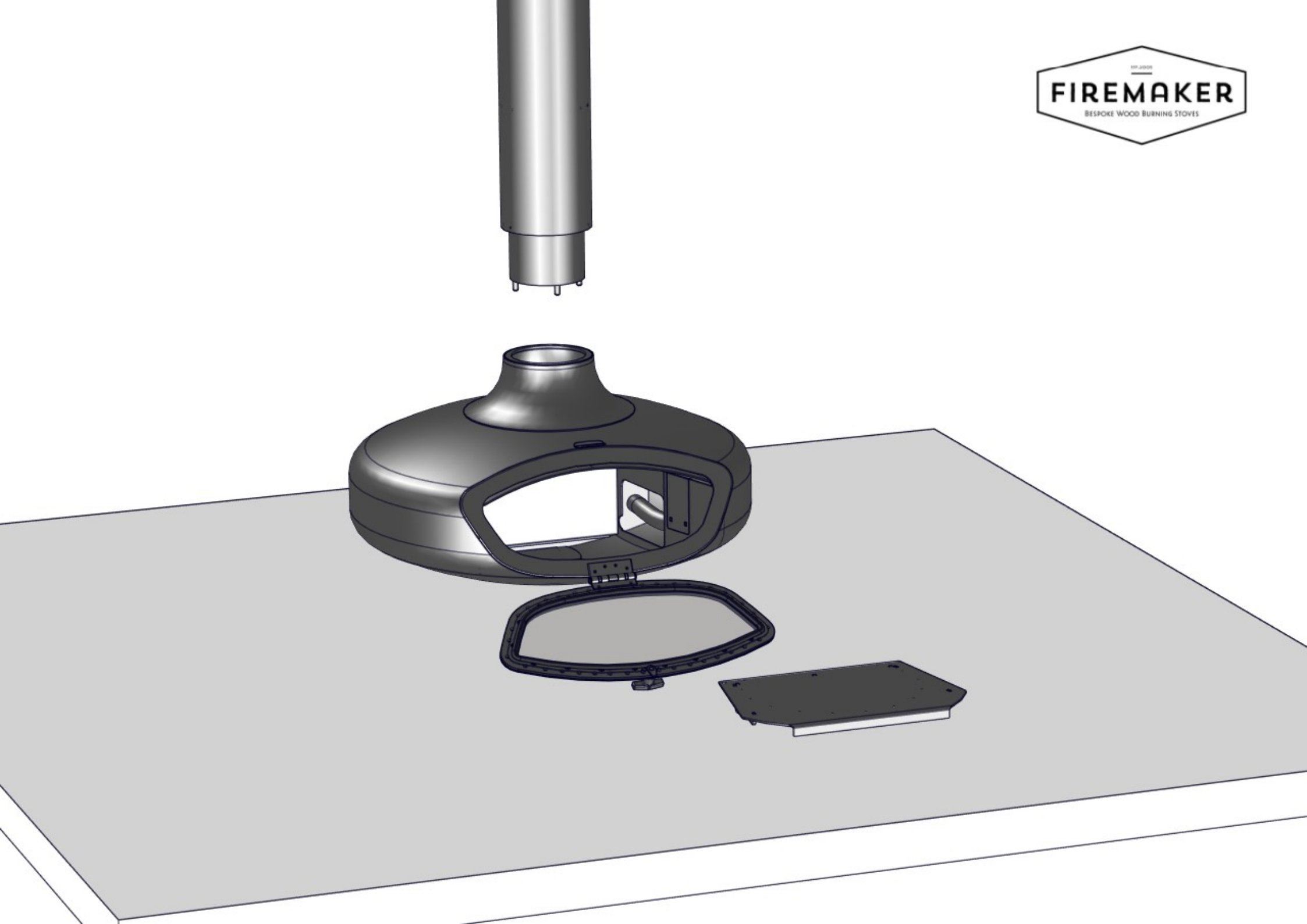
Remove baffle and firebricks.

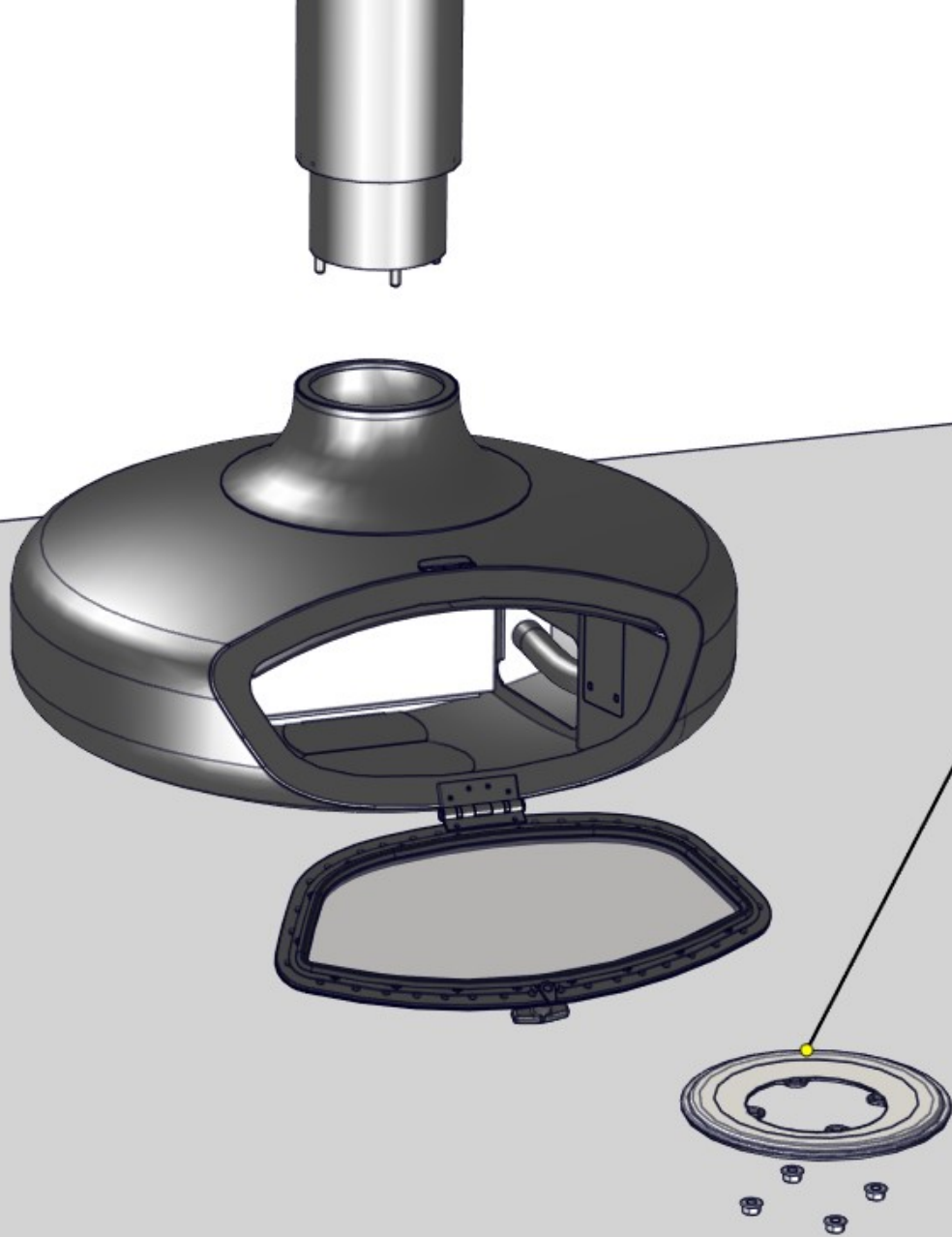




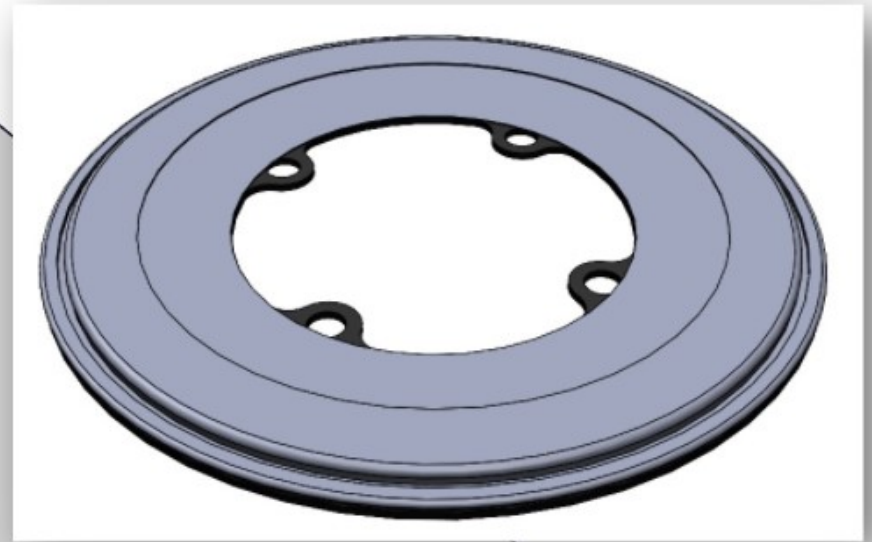
Remove baffle and firebricks.







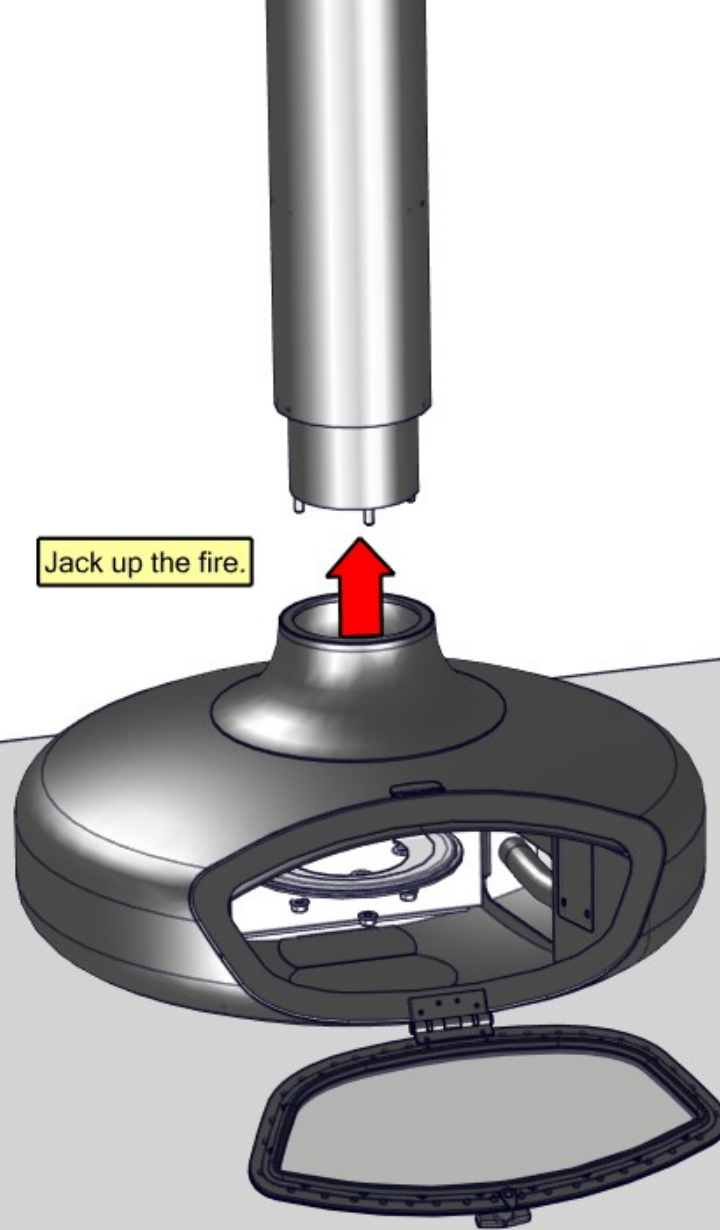
Bearing and plate for the 90cm and 100cm FireBob, or.....



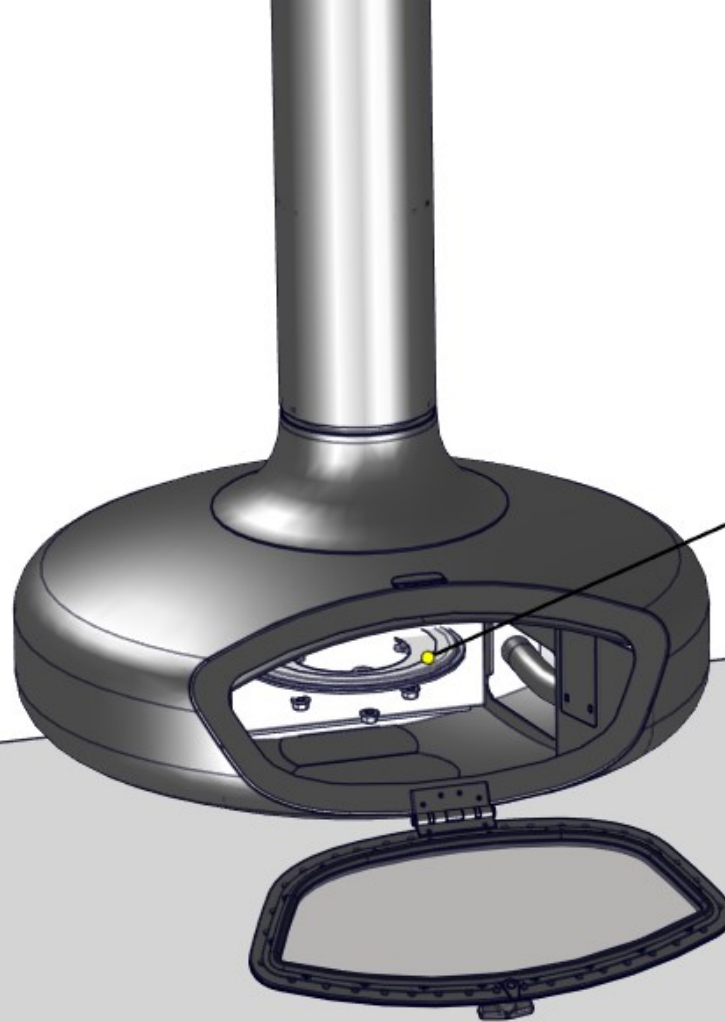
... the bearing for 69cm FireBob looks like this.



Jack up the fire.

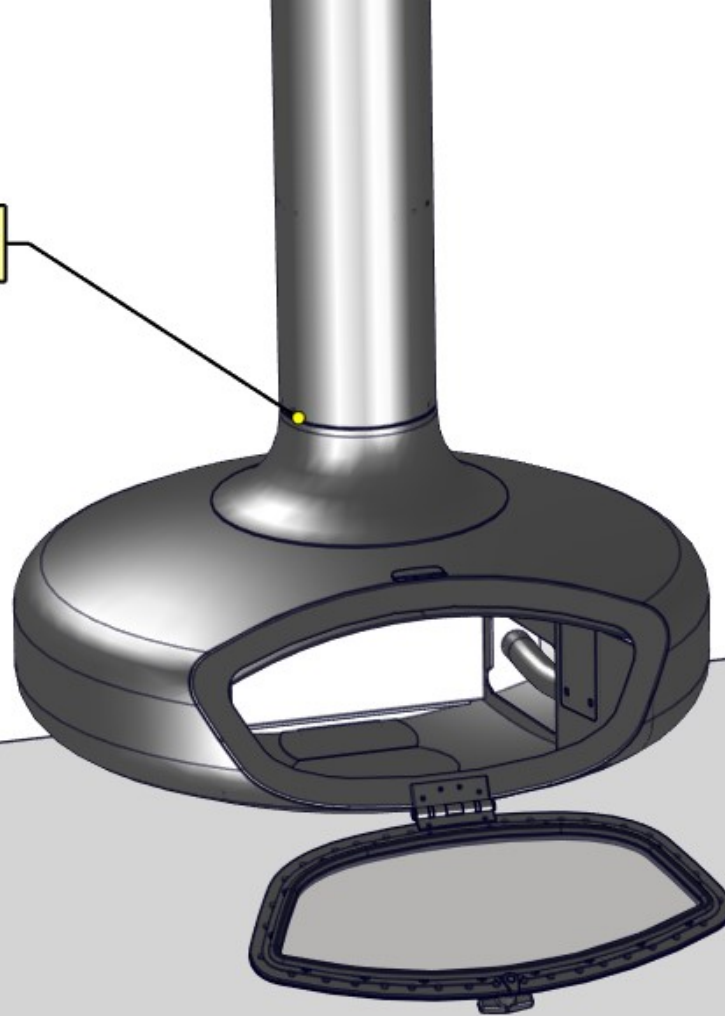


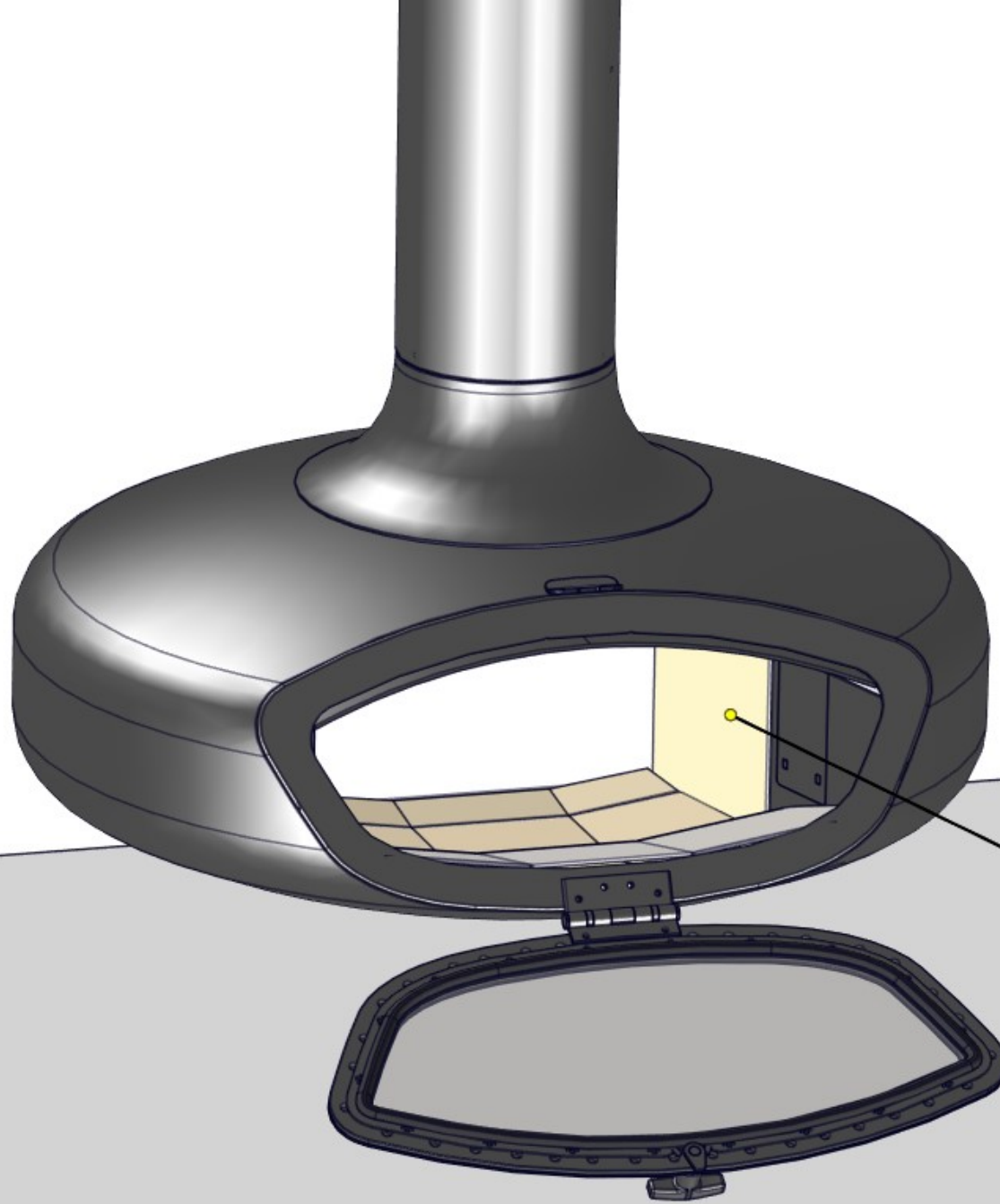
Bolt up the bearing assembly.



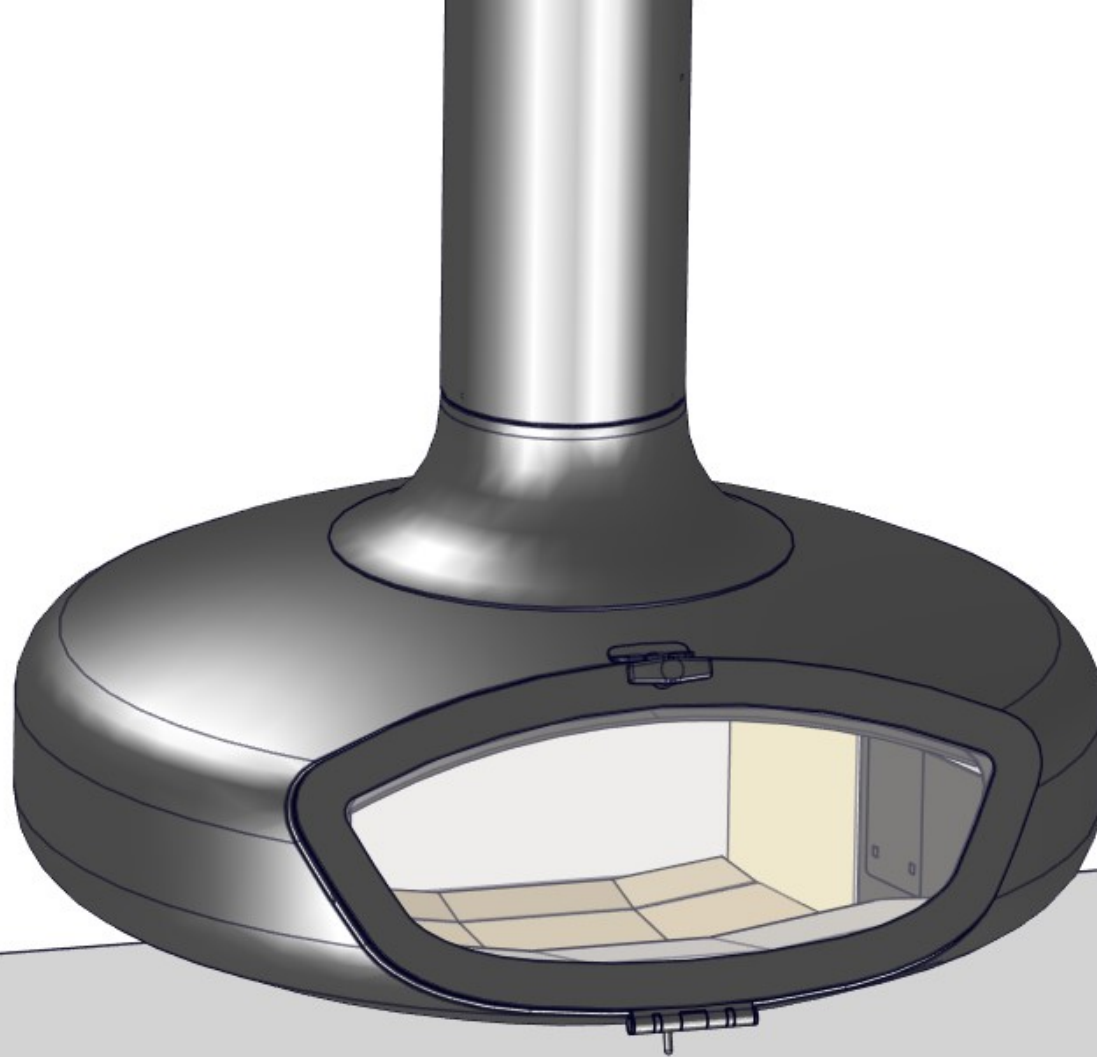


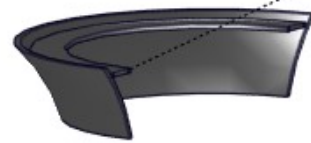
Approximately 3mm gap
when assembled.



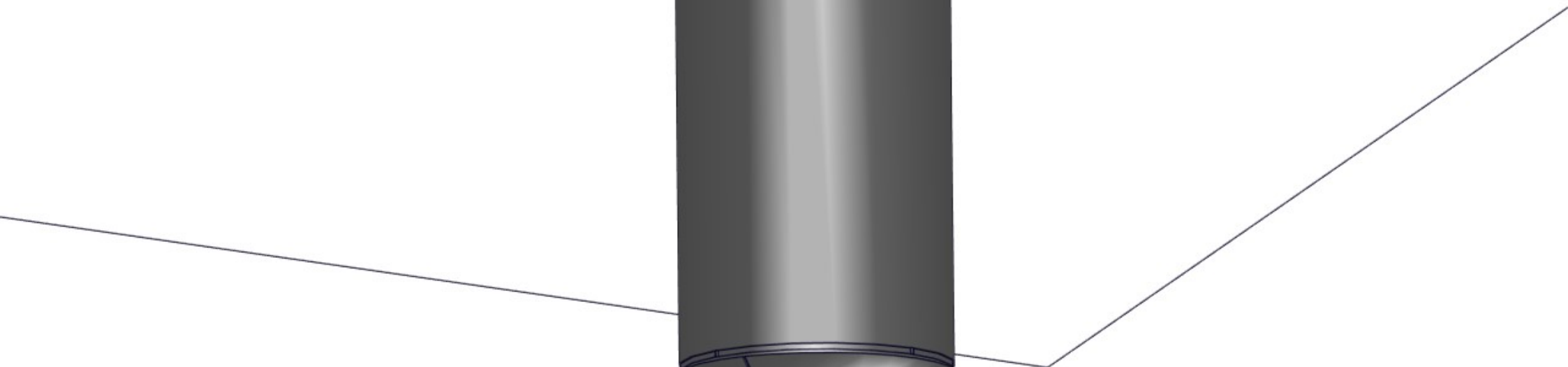
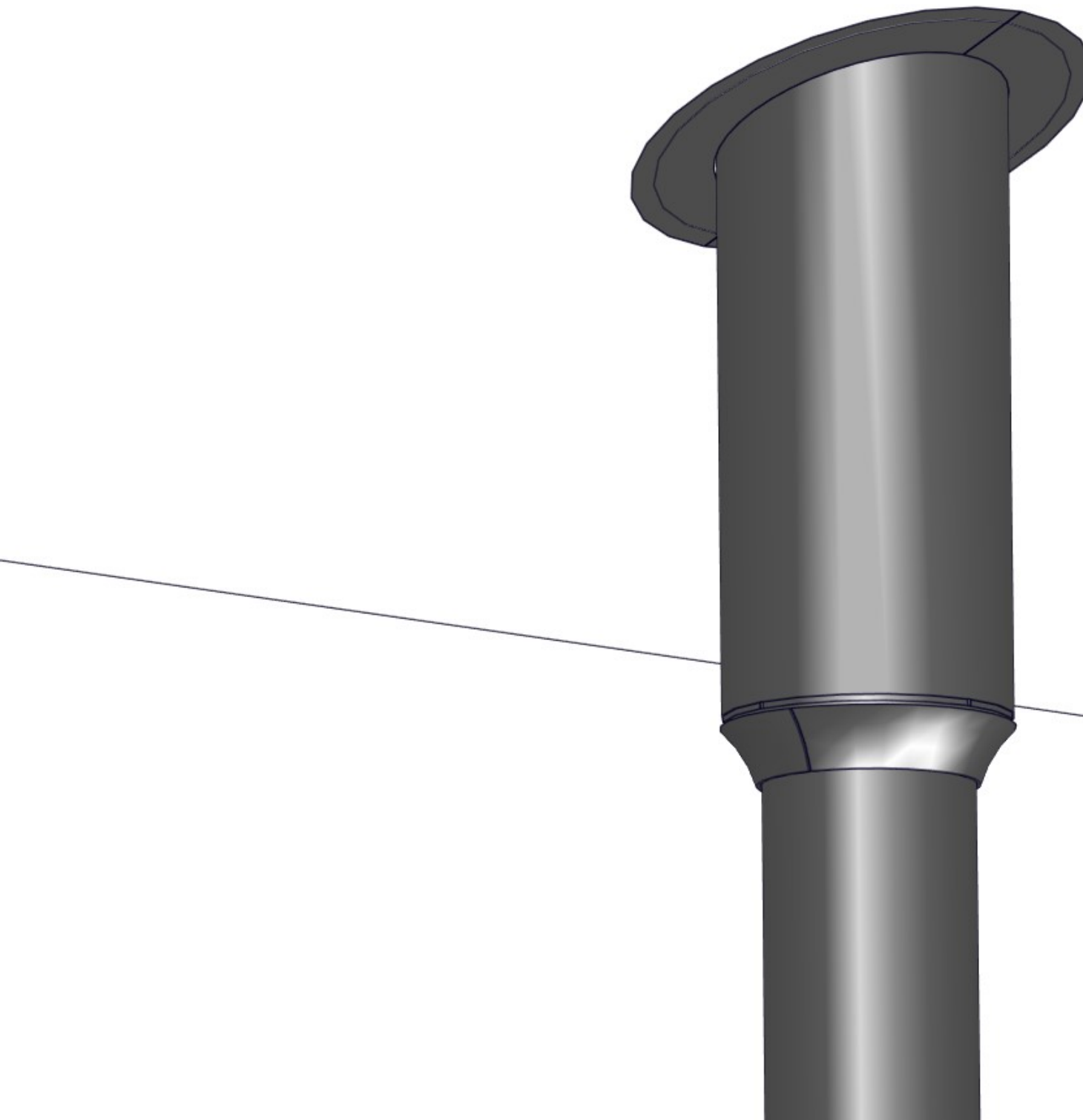


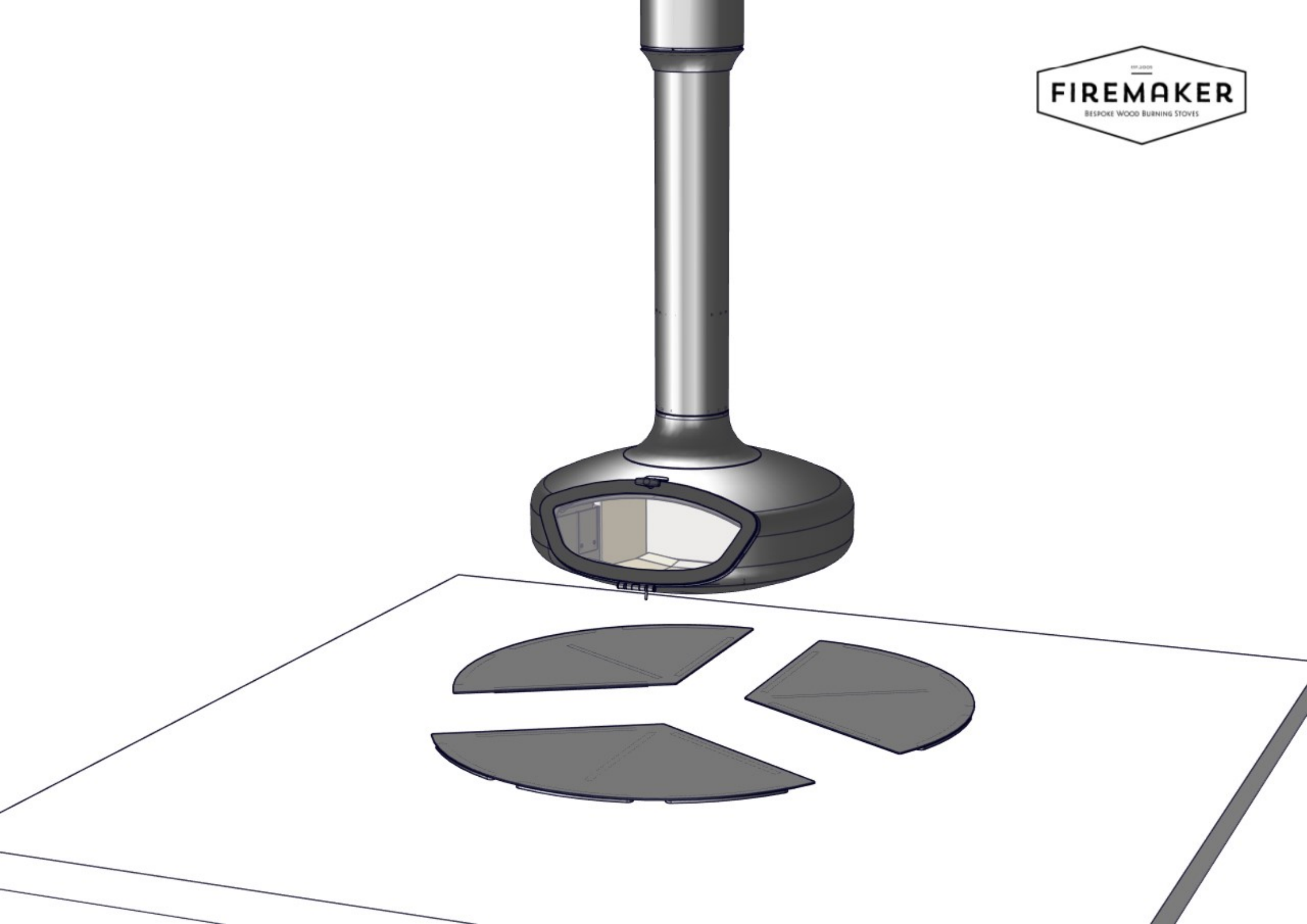
Replace the baffle and firebricks.

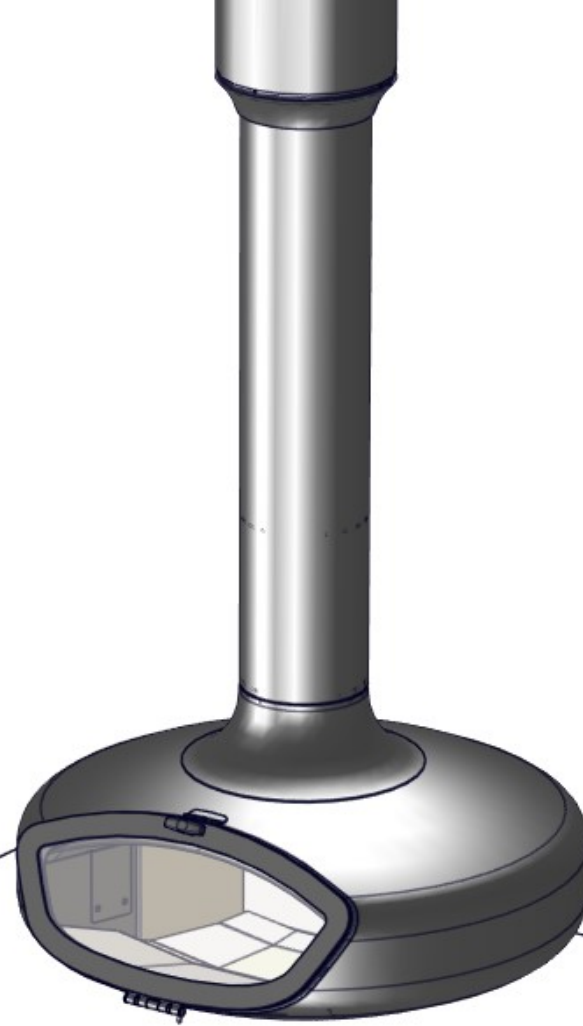




The transition collar is held on with magnets.







Steel hearths available from Firemaker.

