



Firebob

The Firebob is an innovative suspended stove with fully rotating head enabling it to face any direction. The glass door and air adjuster give you control over the fire and a higher heat output and fuel efficiency compared to an open hanging fire. The Firebob is available in a range of colours. Flue length and fixing brackets are manufactured to suit your installation.

- Rotates 360 ° to face any direction
- 'Airwash' air control
- Choice of colours
- UK and international direct delivery
- Two sizes – 900mm or 1000mm diameter
- Hand made in the Scottish Borders.



+44 (0)1387 376765
info@firemaker.co.uk
www.firemaker.co.uk

Colour finishes - Please ask if you would like samples of particular colours and we'll pop them in the post.



Deep Matt Black



Charcoal



Pewter



Light Grey



Metallic Brown



Metallic Blue



Sky Blue Metallic



Honey Glow Brown



Surf Sand



Forest Green



Shimmering Fire



Mojave Red



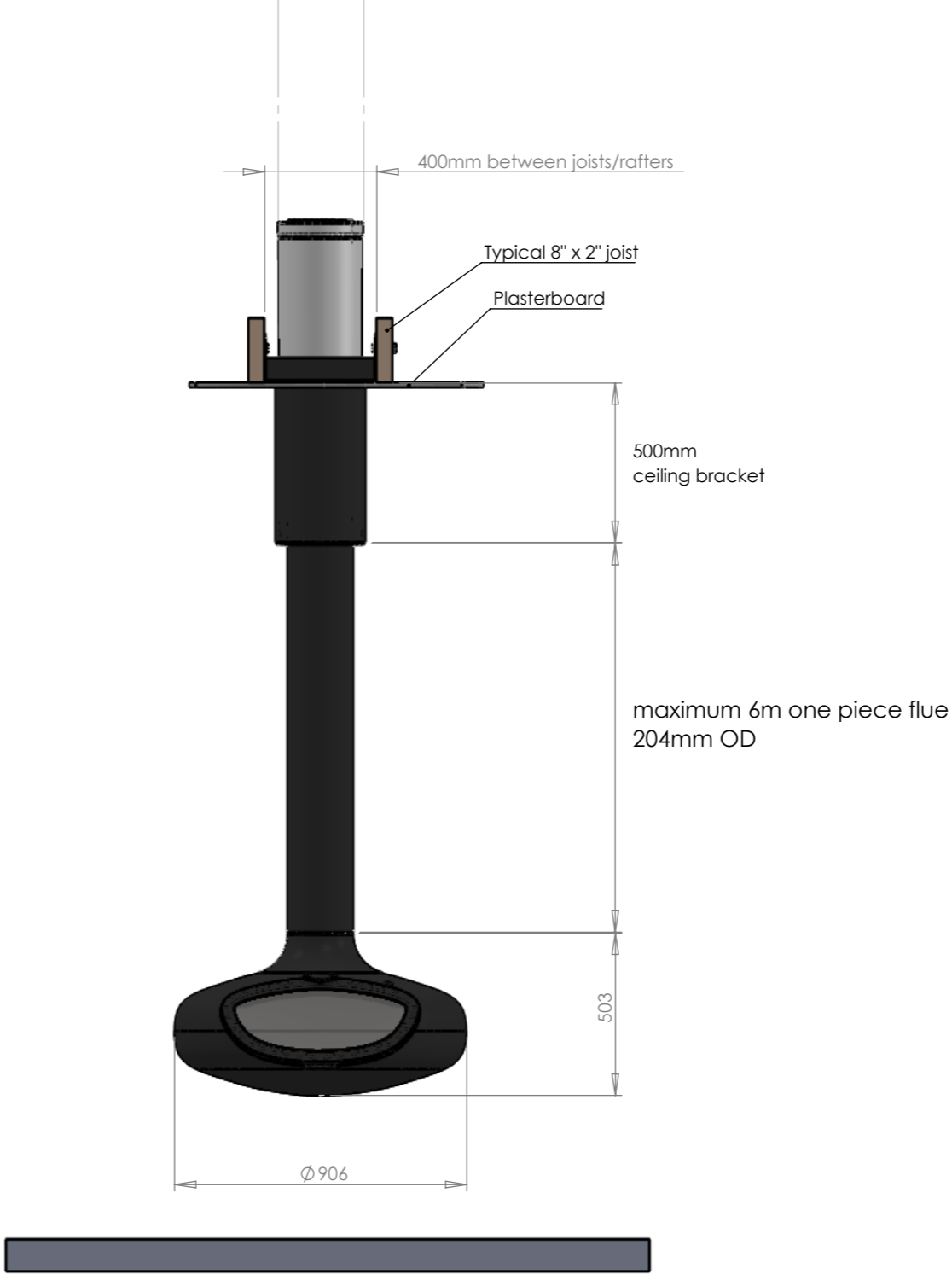
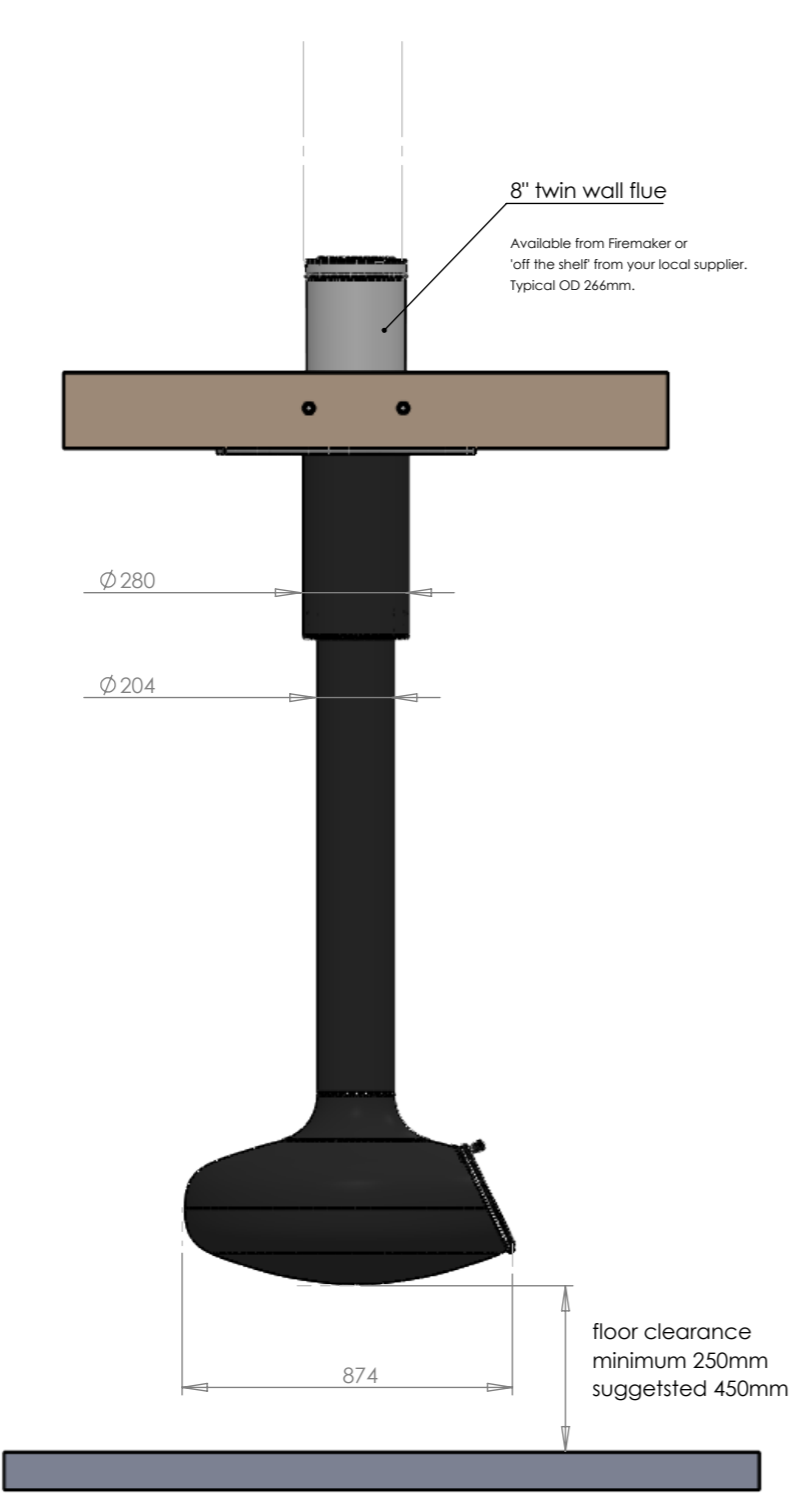
Rich Brown Metallic



Copper

Firebob 900mm

Standard flat roof/ceiling fixing shown - custom made fixings available for pitched roof/ceiling.



Clearances
450mm to combustibles
450mm to glazing/windows
100mm to non-combustibles

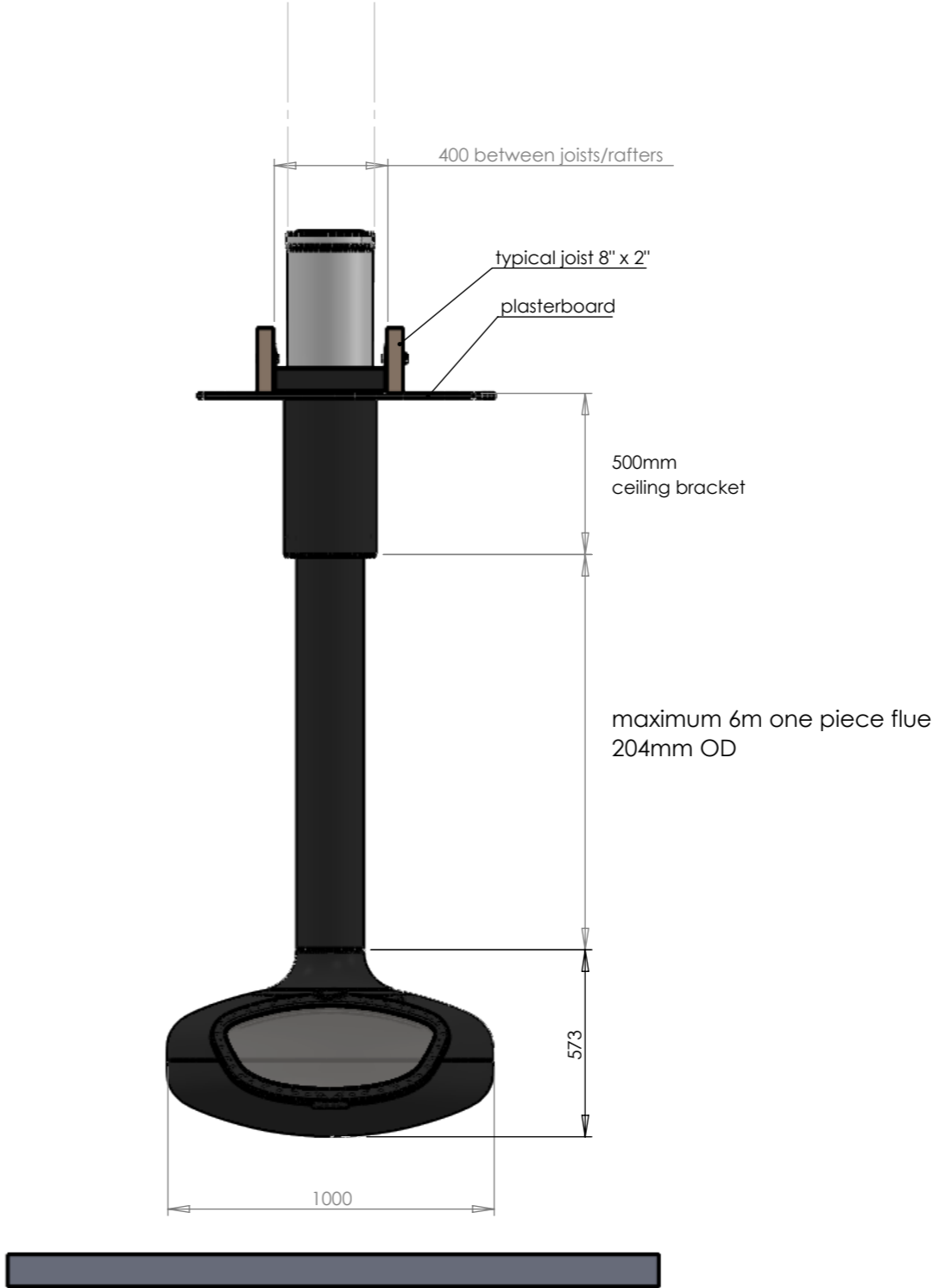
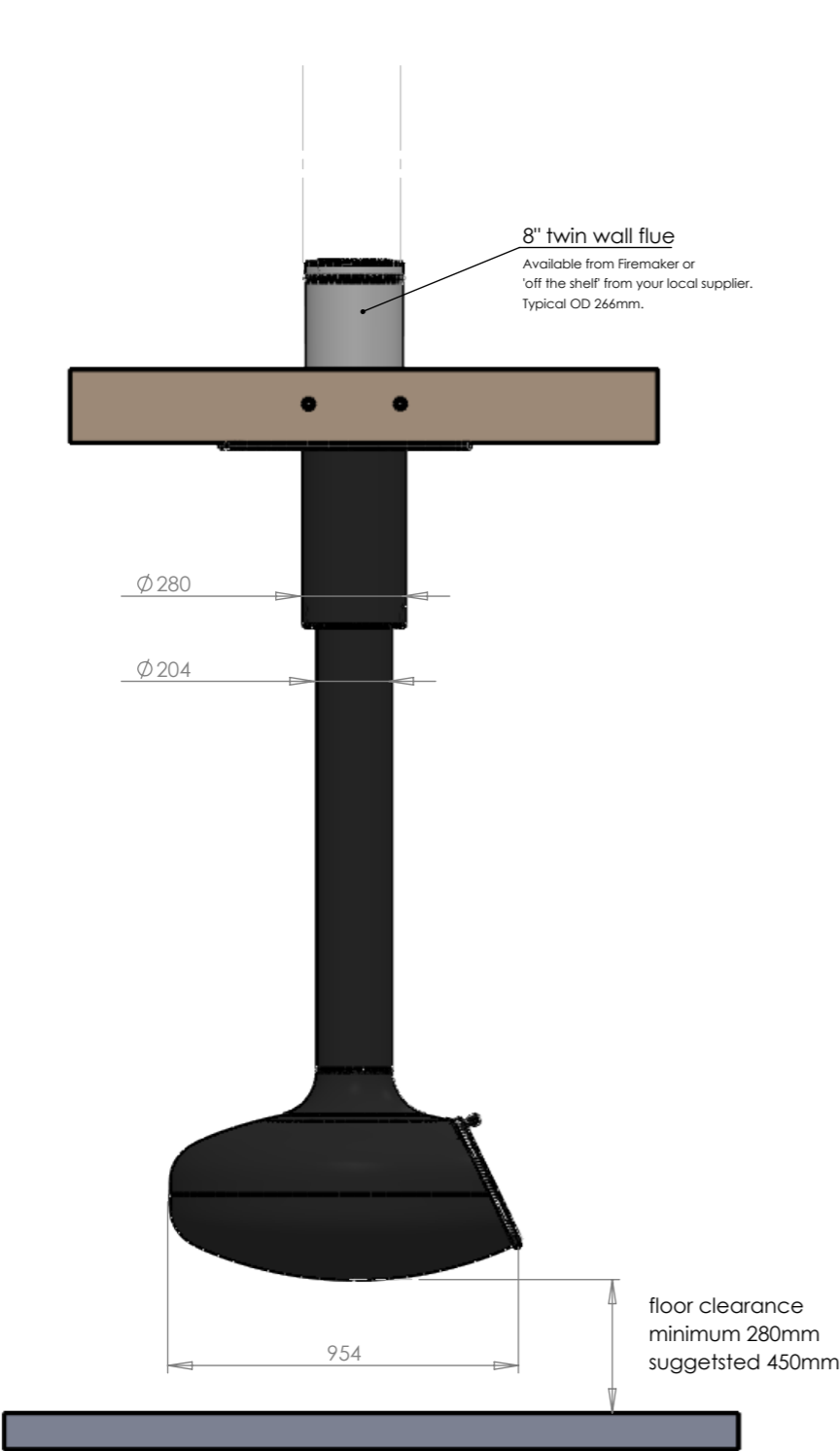
Output
8kW

Ventillation area required
2200mm²

Weight
110kg subject to flue length

Firebob 1000mm

Standard flat roof/ceiling fixing shown - custom made fixings available for pitched roof/ceiling.



Clearances
450mm to combustibles
450mm to glazing/windows
100mm to non-combustibles

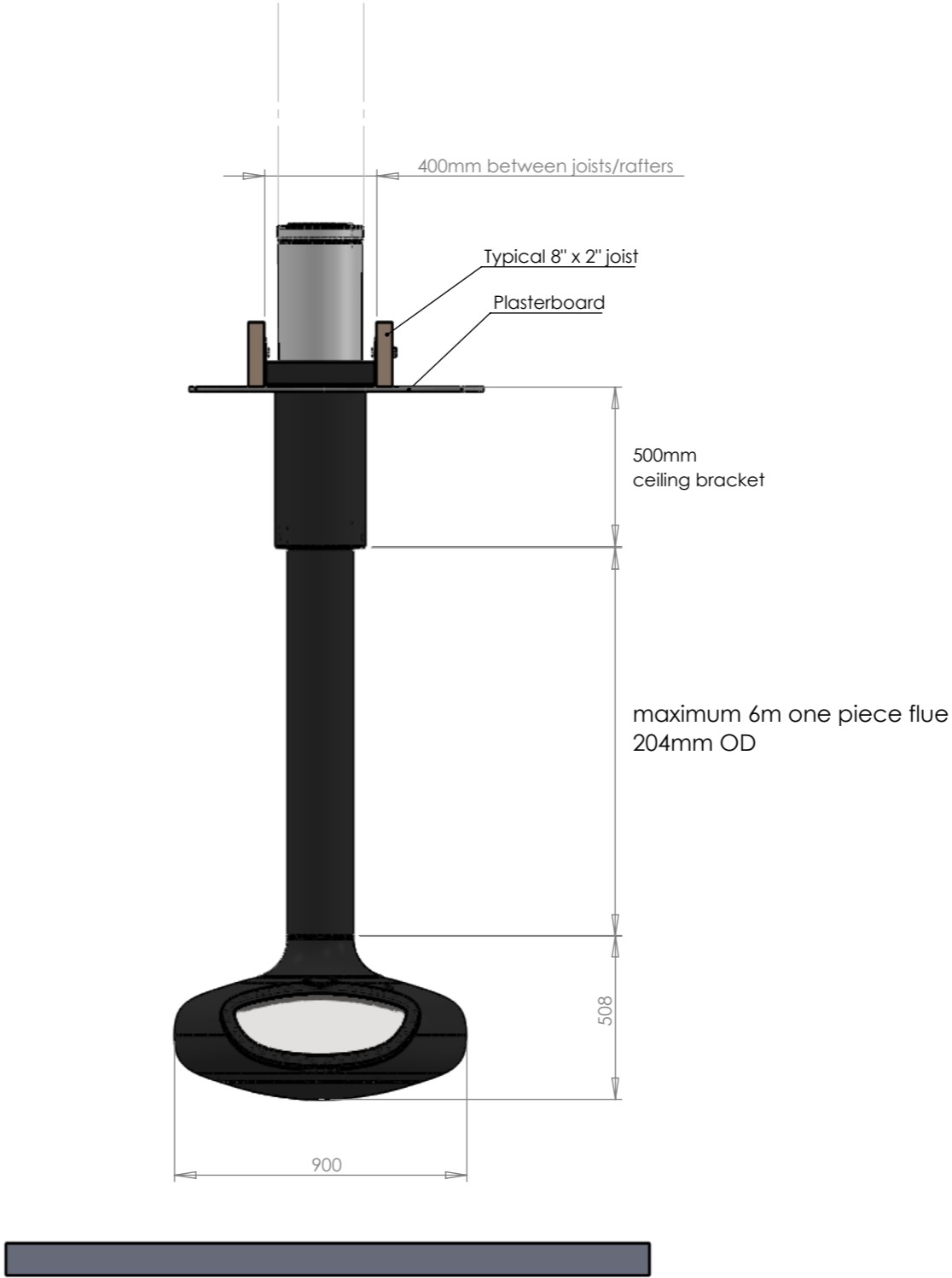
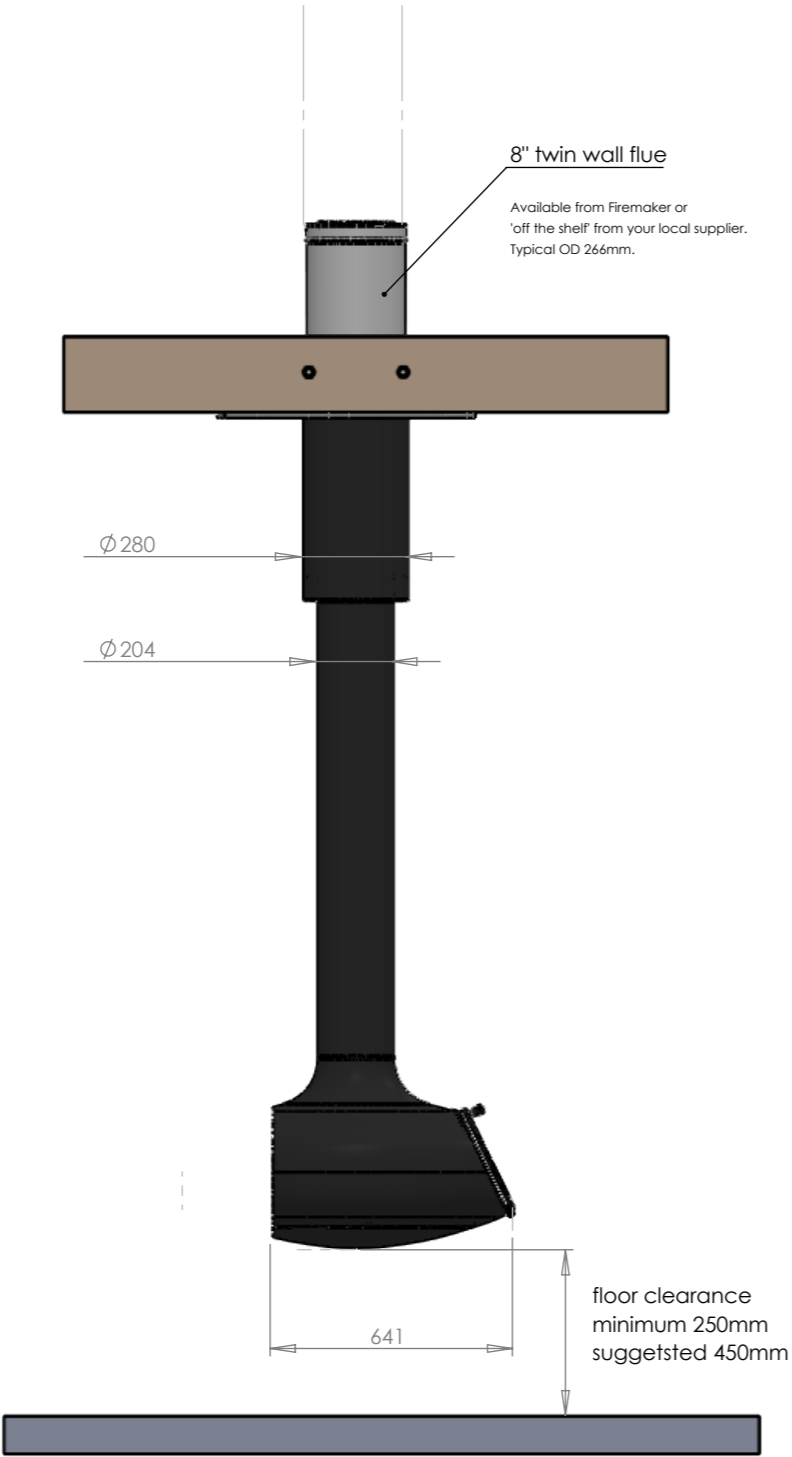
Output
10kW

Ventilation area required
2750mm²

Weight
125kg subject to flue length

Firebob 900mm - reduced depth

Standard flat roof/ceiling fixing shown - custom made fixings available for pitched roof/ceiling.



Clearances
450mm to combustibles
450mm to glazing/windows
100mm to non-combustibles

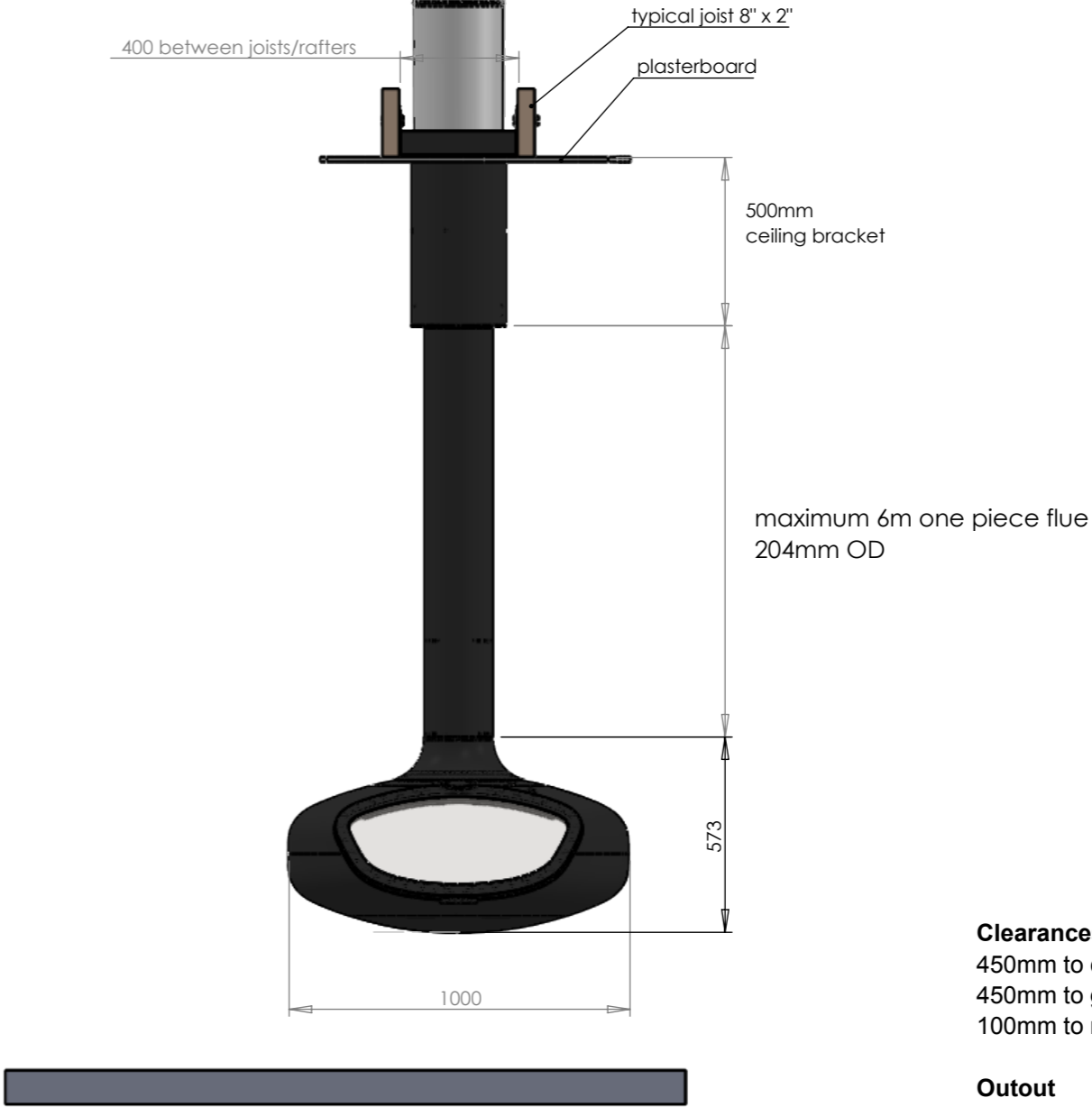
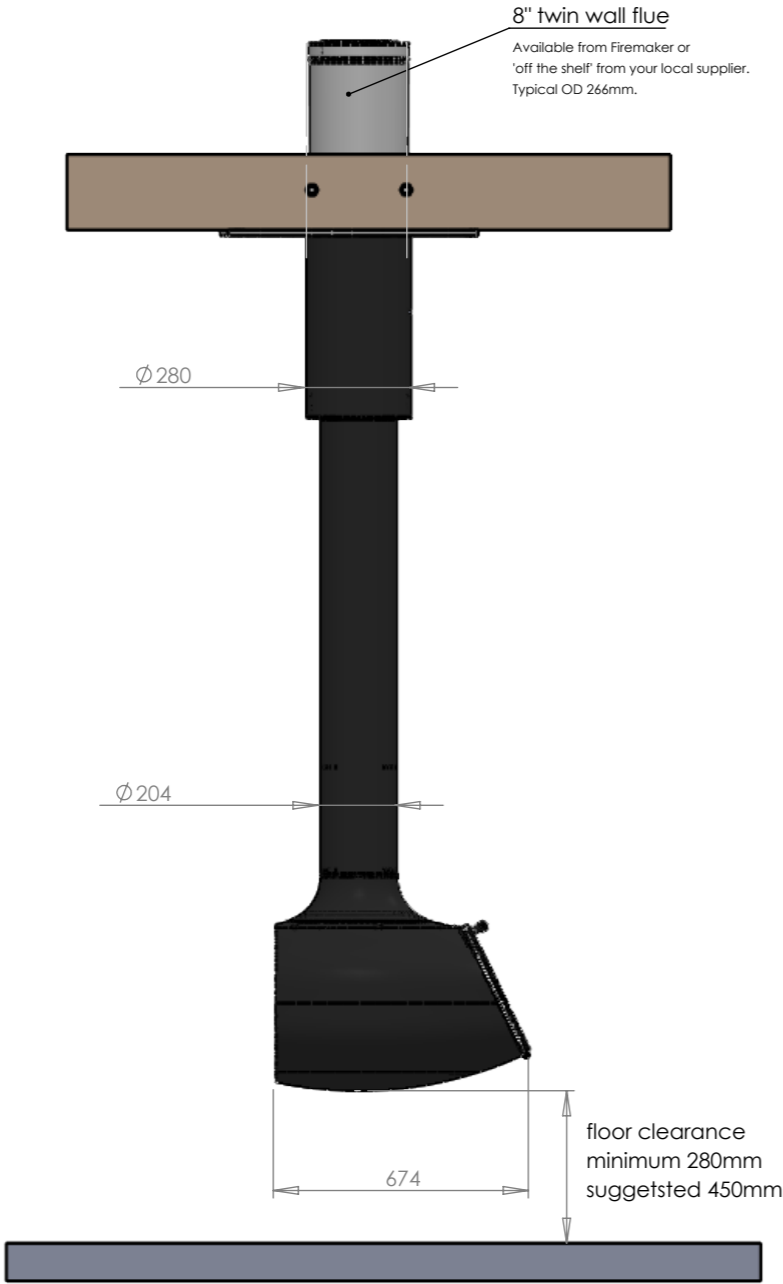
Output
7kW

Ventilation area required
2200mm²

Weight
110kg subject to flue length

Firebob 1000mm - reduced depth

Standard flat roof/ceiling fixing shown - custom made fixings available for pitched roof/ceiling.



Clearances
450mm to combustibles
450mm to glazing/windows
100mm to non-combustibles

Output
9kW

Ventillation area required
2750mm²

Weight
125kg subject to flue length



Firebob Install

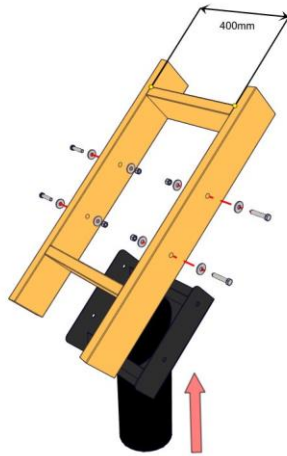
This shows a typical pitched roof installation.

Flat roof installation is the same.

Please contact us if you'd like to discuss variations on the install.

T: 01387 376765

E: info@firemaker.co.uk



Ceiling Bracket

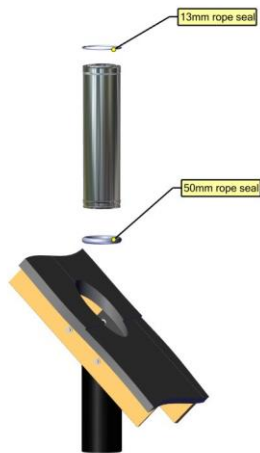
Fix the custom-made bracket to your ceiling joists/rafters/trusses (we'll make a bracket to suit your roof timbers or steel structure).



Ceiling Bracket

Plumb the bracket to make sure it is vertical.

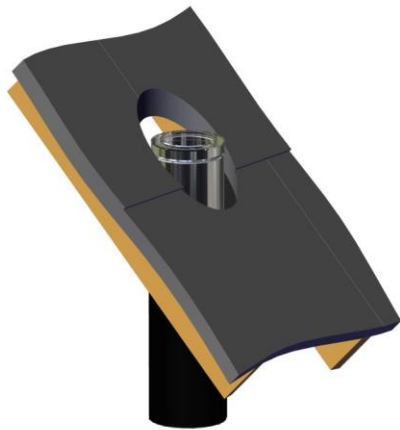
Once the bracket is in place then the ceiling can be plastered around the bracket if required.



External flue

Place the 50mm rope seal in the bottom of the bracket. Slide the first length of flue pipe down into the bracket compressing the rope seal at the bottom.

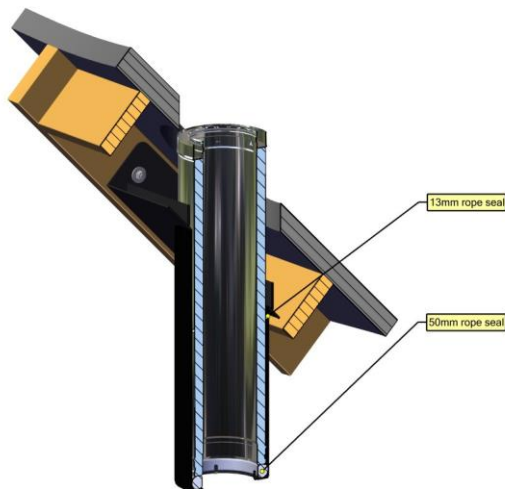
Use the 13mm rope seal to pack the flue around the top of the bracket.



External flue

The flue is 8" insulated twin wall pipe. Available from Firemaker or any flue supplier.

Polished stainless steel as standard but also available in powder coated RAL colours.



External flue

Cross section showing the two rope seals in position.

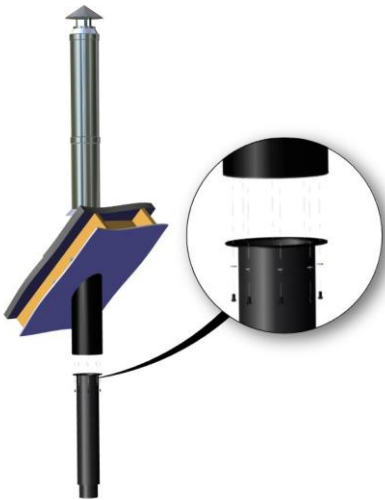


External flue

The roof flashing and the rest of the external flue parts can now be fitted.

Check local building regulations to determine height of flue required.

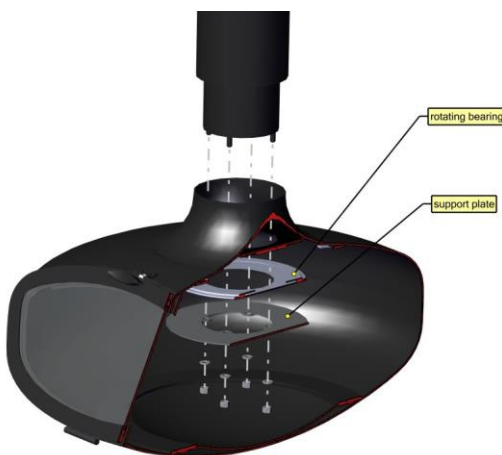
(Google 'building regs document J' for UK).
Page 26 on the PDF.



Internal flue

The internal flue comes in one piece (up to 6m long) to suit your ceiling height.

This is attached to the ceiling bracket with the eight m8 washers and bolts provided.

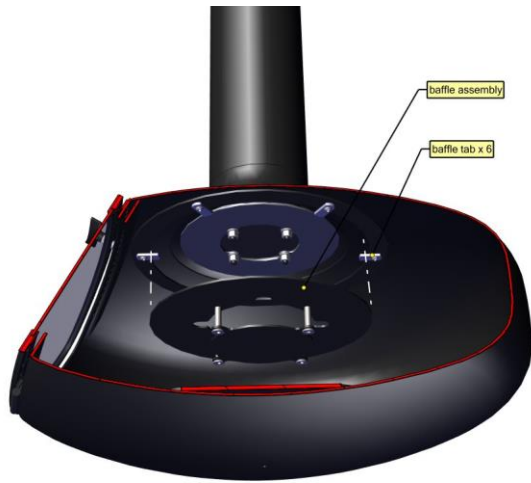


Fire body

Jack or pack up the stove so that the flue shoulder goes fully inside the stove body.

Open the door. Position the rotating bearing and support plate in the top of the stove and fix in place with the four washers and nuts.

You'll need three hands for this unless you're strong and dexterous!



Baffle assembly

Rotate the six baffle tabs out of the way. Hold the baffle assembly in position and rotate the tabs back to hold the baffle up.

Tighten the baffle tab bolts.

Ready to light!